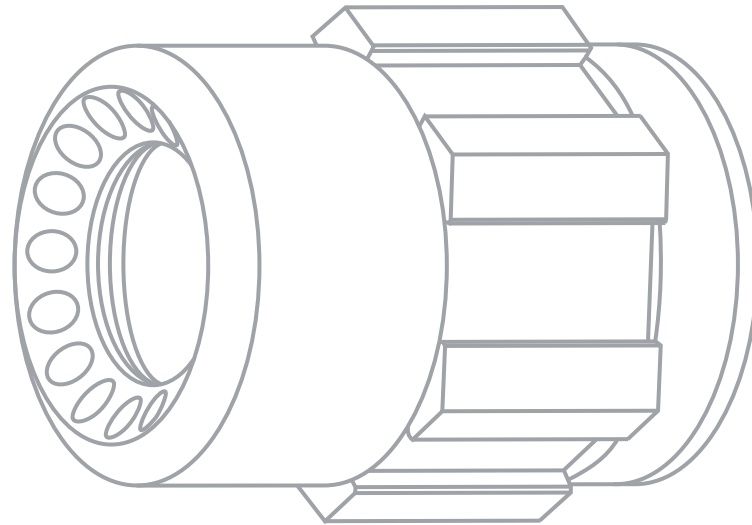




THE AUTOMOTIVE LIGHTING BENCHMARK



INSTALLATION GUIDE

MODPOD / MODPOD MINI



**WARNING:** By reading this document, I agree it is only to be used as an educational guide. Morimoto Lighting makes no guarantee on any finished results, nor are they to be held responsible for any damage, misuse, or personal injuries. Use at your own risk. If you are unable to clearly understand and adapt the information below, professional installation is recommended.

## TABLE OF CONTENTS

INTERLOCKING THE PODS	P.3
USING THE SHAFT MOUNTS	P.3
USING THE T-1 MOUNT	P.4
USING THE Y-2 MOUNT	P.4
WIRING THE MODPODS	P.5

## STANDARD COMPONENTS



1X MODPOD / MODPOD MINI

## OPTIONAL COMPONENTS



COMBO CLIP



T-1 MOUNT



Y-2 MOUNT



SHAFT MOUNT



AMBER LENS

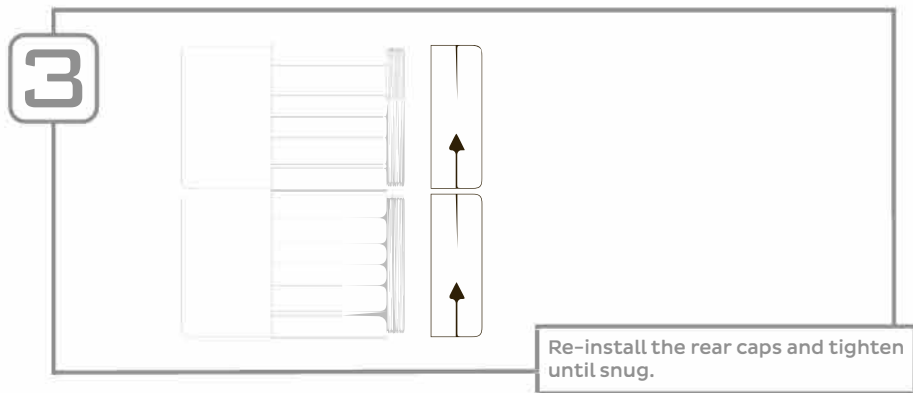
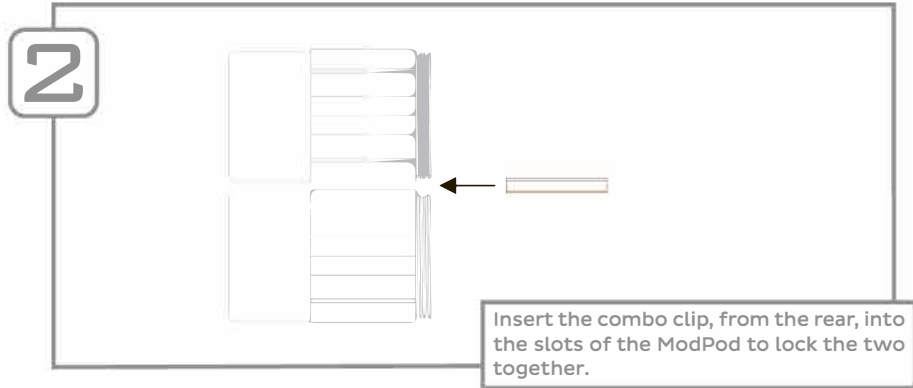
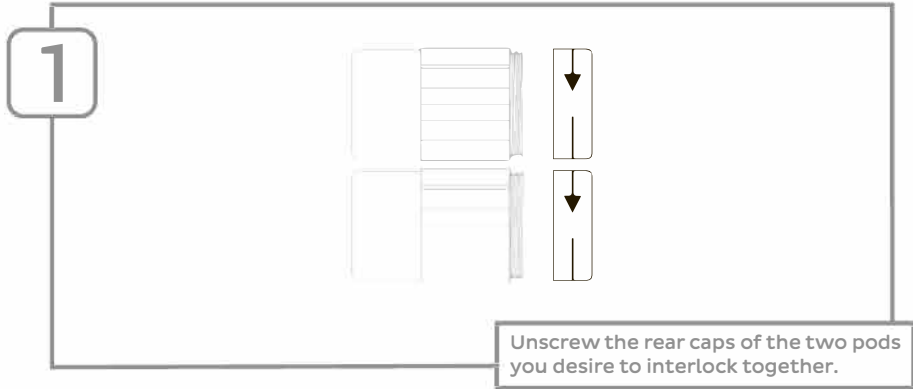


RED LENS

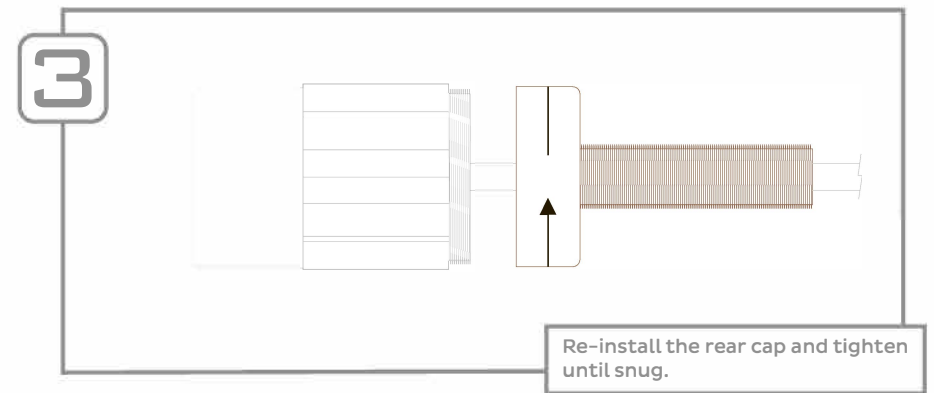
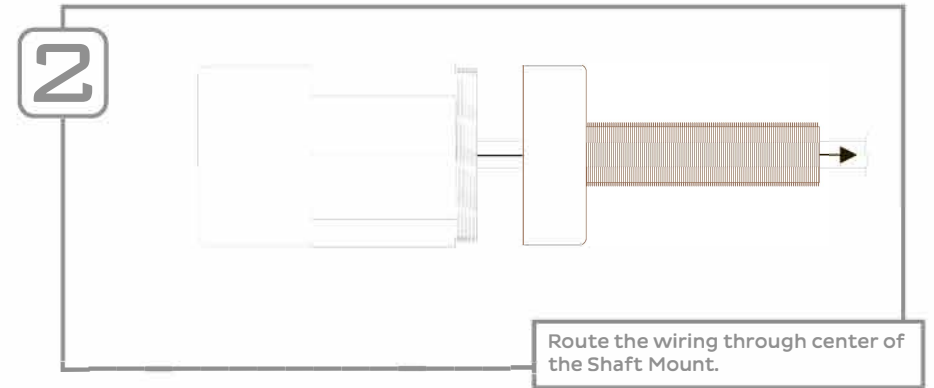
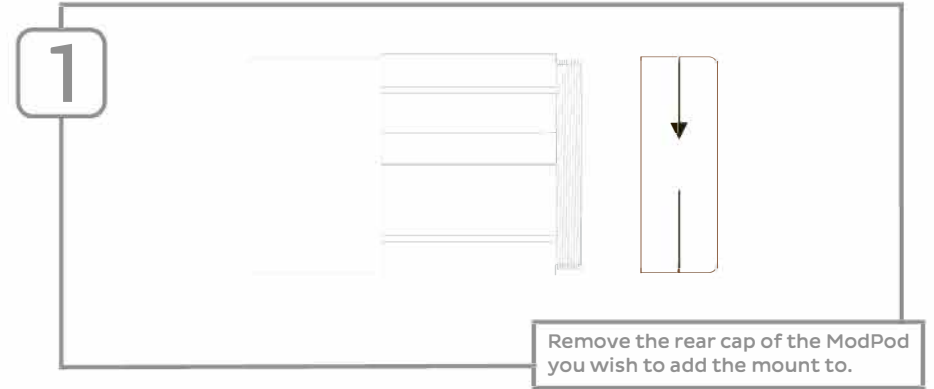


ModPods and ModPod Minis offer the same optional components, but given the pod size difference, they are not interchangeable. Furthermore, the two sizes cannot be mounted to each other.

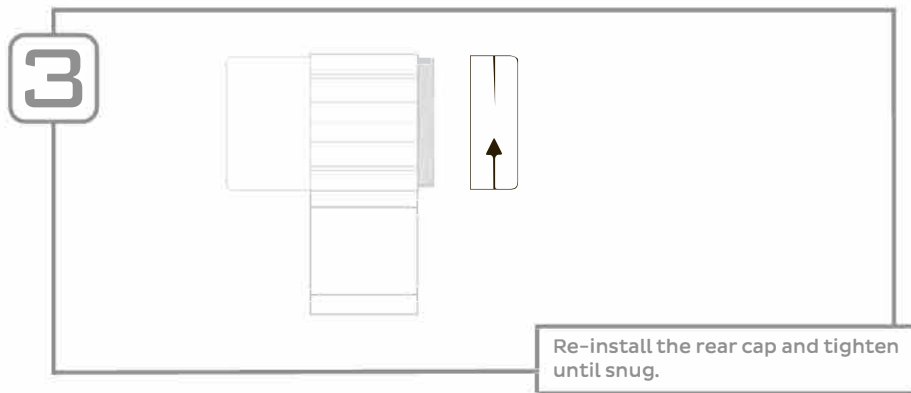
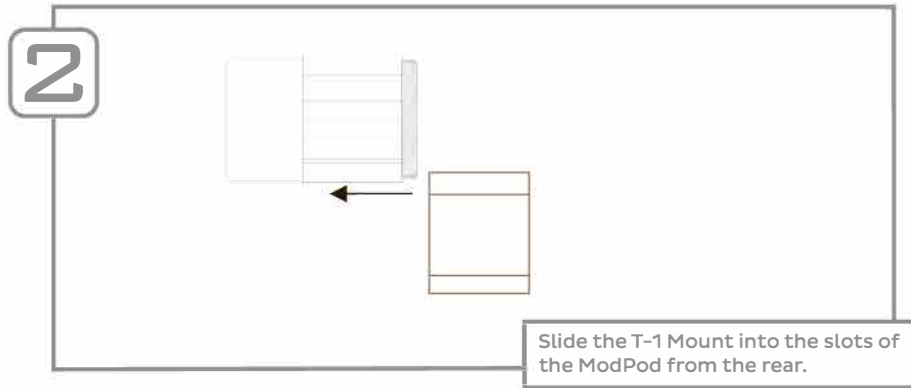
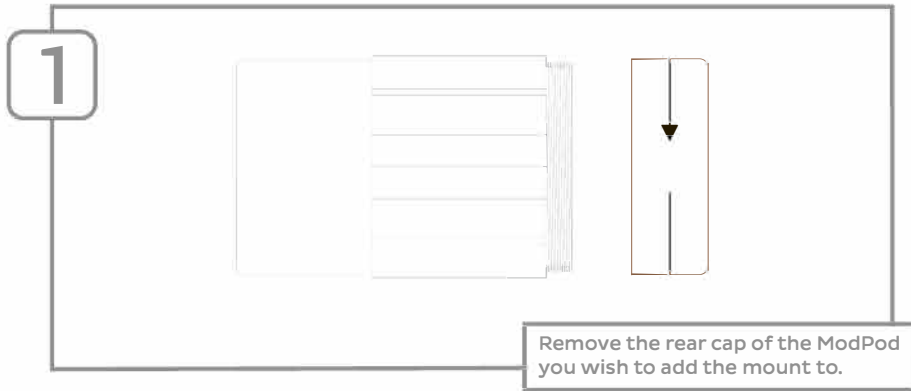
## INTERLOCKING THE PODS



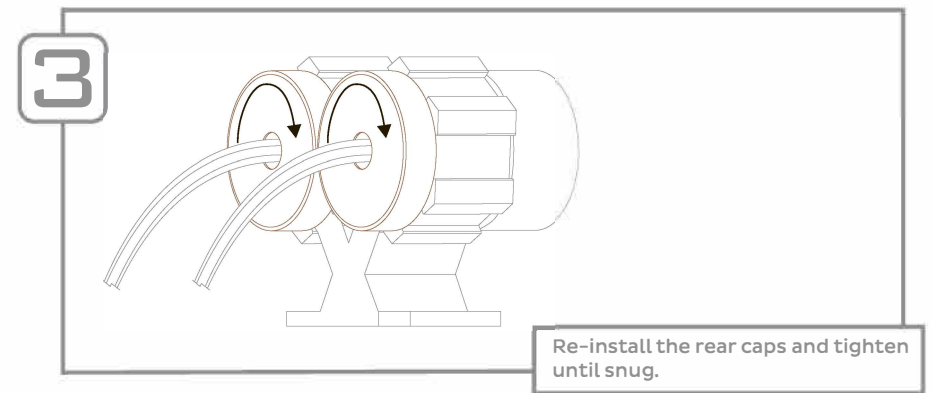
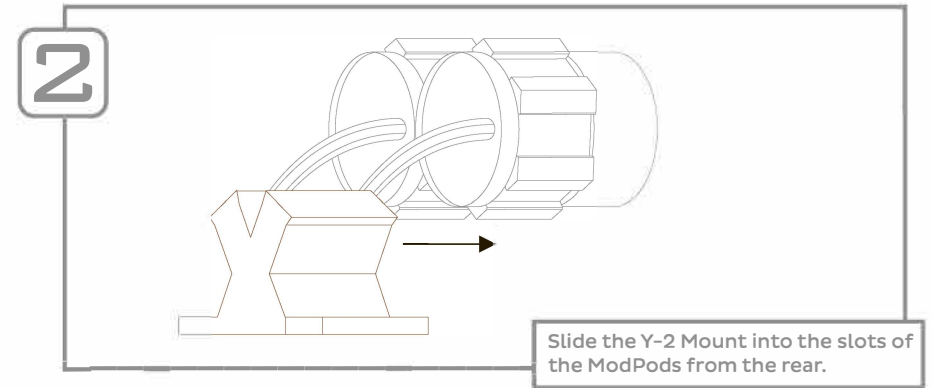
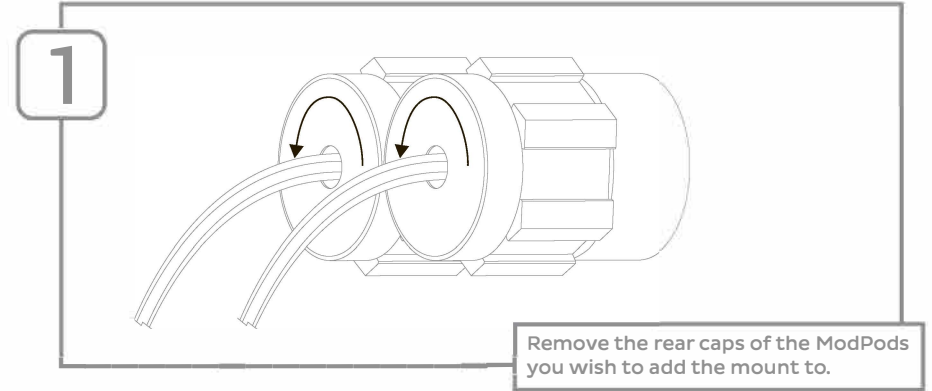
## USING THE SHAFT MOUNT



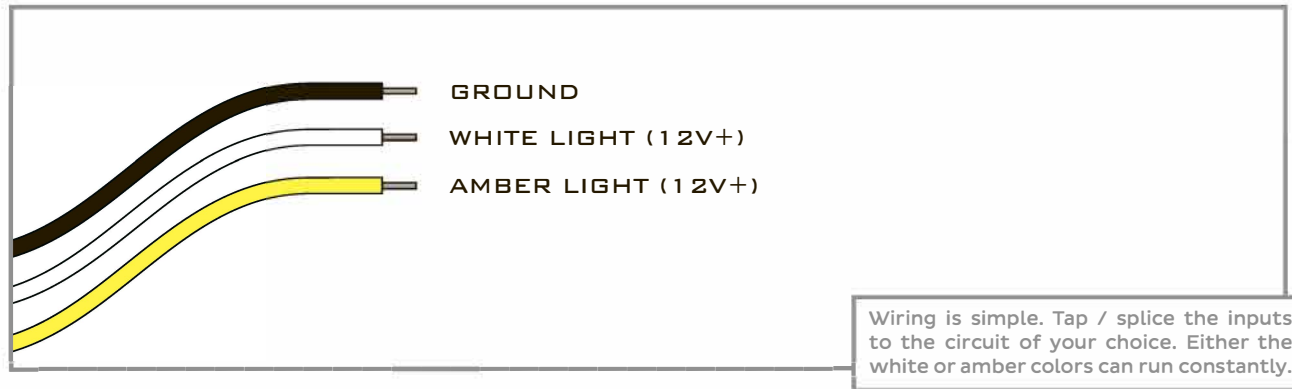
## USING THE T-1 MOUNT



## USING THE Y-2 MOUNT



## SWITCHBACK MODELS



## DUAL-INTENSITY MODELS

