

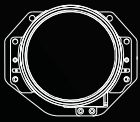


# INSTALL GUIDE

# SUPER 7 HIGH-PERFORMANCE BI-LED HEADLIGHTS

**WARNING:** By reading this document, you agree it is only to be used as an educational guide. Morimoto Lighting nor its distributors make guarantees on any finished results, nor are they to be held responsible for any damage, misuse, or personal injuries. Use at your own risk. If you are unable to clearly understand and adapt the information below, professional installation is recommended.

## PACKAGE CONTENTS



1 X MLED PROJECTOR\*



1 X DRIVER



1 X SPLITTER



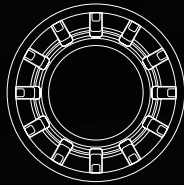
2 X VENTS



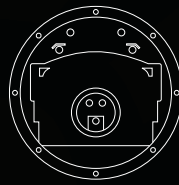
1 X GROMMET



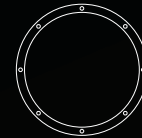
1 X LENS



1 X FRONT HALF



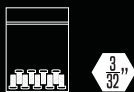
1 X BACK HALF



1 X FLAT GASKET



1 X SMALL GASKET



8 X 3/32" SCREWS



3 X M3 SCREWS



2 X M4 SCREWS



6 X PHILIPS SCREWS



6 X RUBBER WASHERS

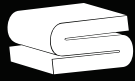
\*MODIFIED FOR USE IN SUPER7 HOUSING: FAN REMOVED, THREADED SHAFT REMOVED, CENTER SECTION TRIMMED, A FIN HAS BEEN TRIMMED OFF OF HEAT SINK, AND GASKET INSTALLED ON PIGTAIL. ROUGH EDGES MAY BE PRESENT!



## TOOLS REQUIRED



LATEX GLOVES



SOFT WORK  
SURFACE



3/32" ALLEN  
DRIVER



T20 TORX  
DRIVER



#2 PHILIPS  
DRIVER



M3 ALLEN DRIVER



M4 ALLEN DRIVER



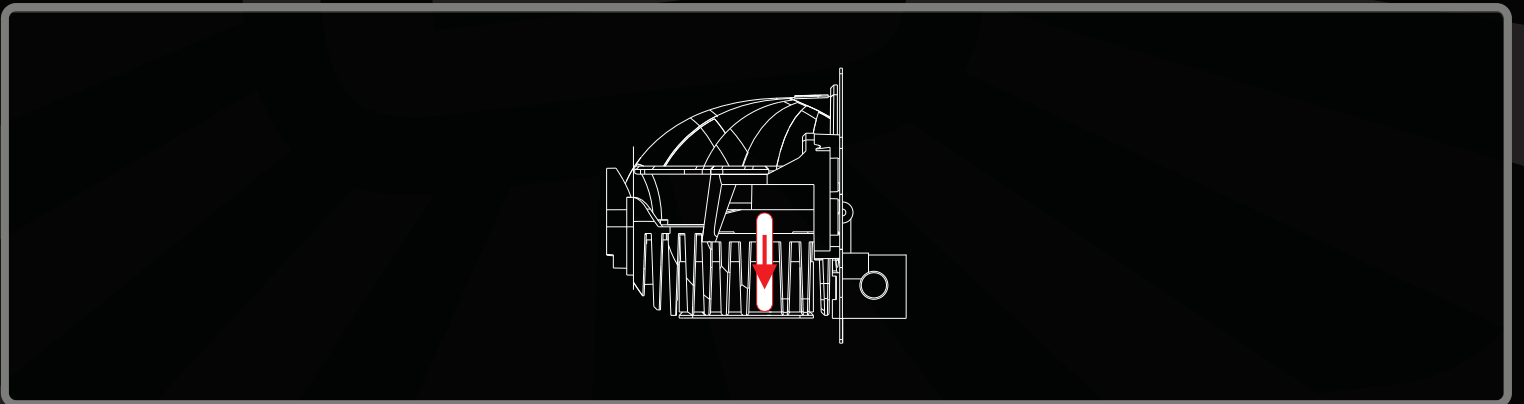
COMPRESSED AIR

## ASSEMBLY PROCESS

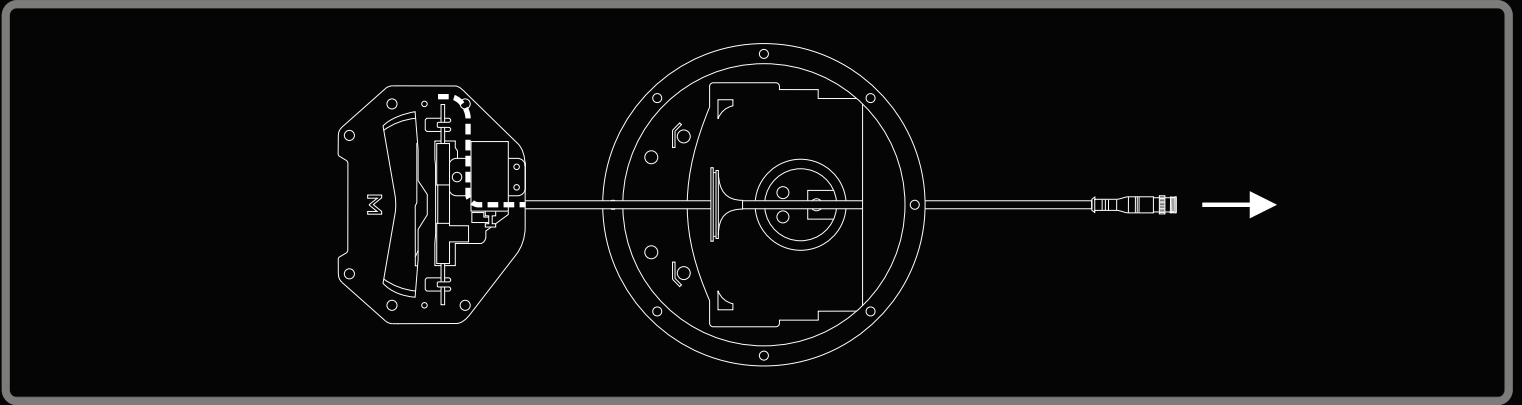
Loosen the four (4) T20 Torx screws holding the plastic lens holder of the M LED projector to the heat sink. Set lens frame and four screws aside for installation later.



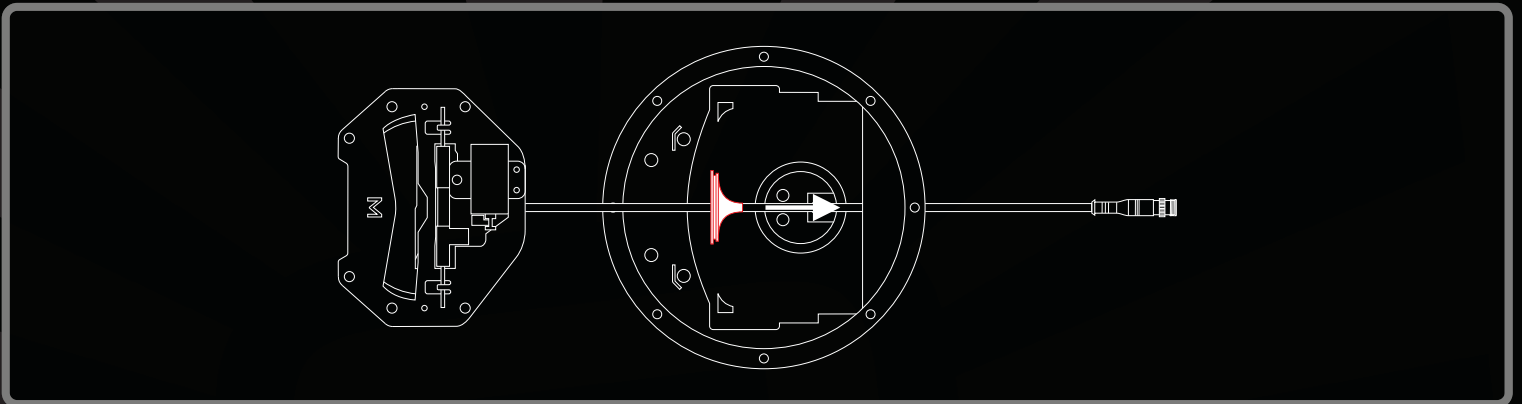
Route the wire pigtail under the heat sink via the missing fin immediately below where the pigtail exits the circuit board of the projector. Use caution as there may be some sharp edges on the heat sink.



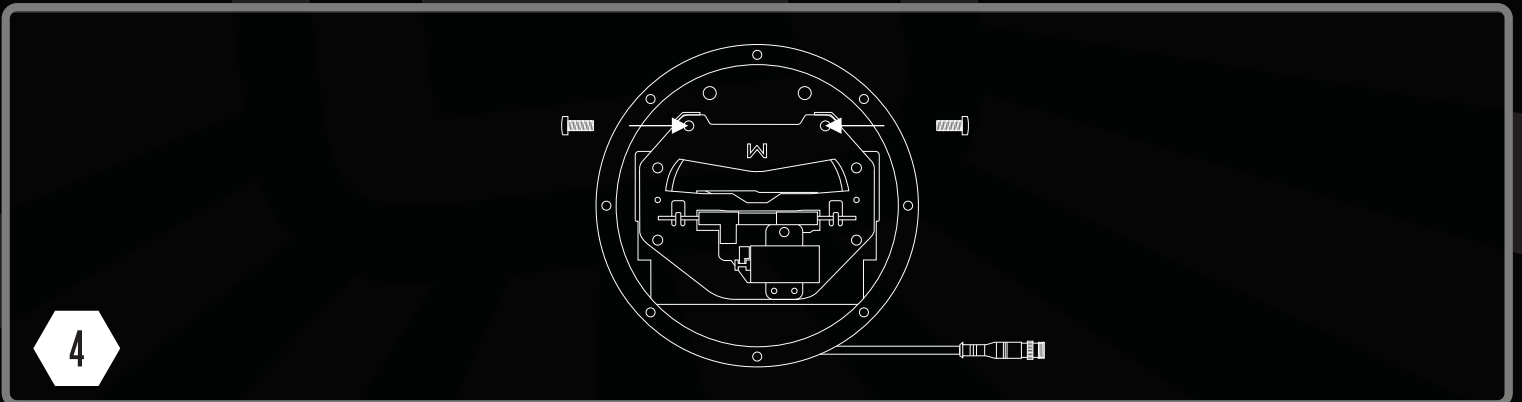
Feed the wire pigtail through the opening in the back half from the inside.



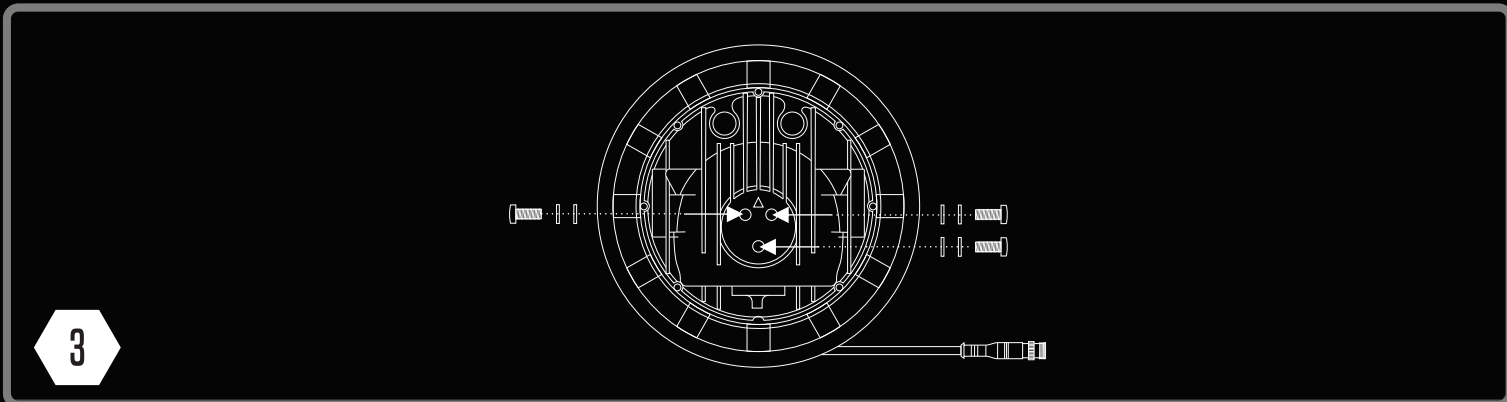
Fit the grommet to the opening in the back half and ensure both sides of the grommet seal properly around the opening.



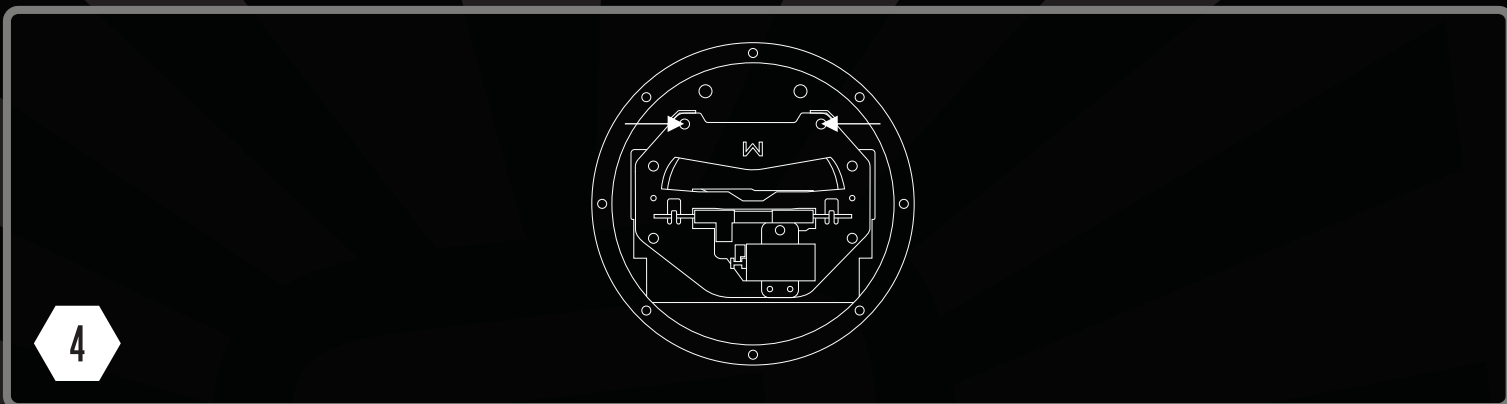
Fit the two (2) M4 Allen cap head screws into the indicated holes. DO NOT TIGHTEN. LEAVE LOOSE.



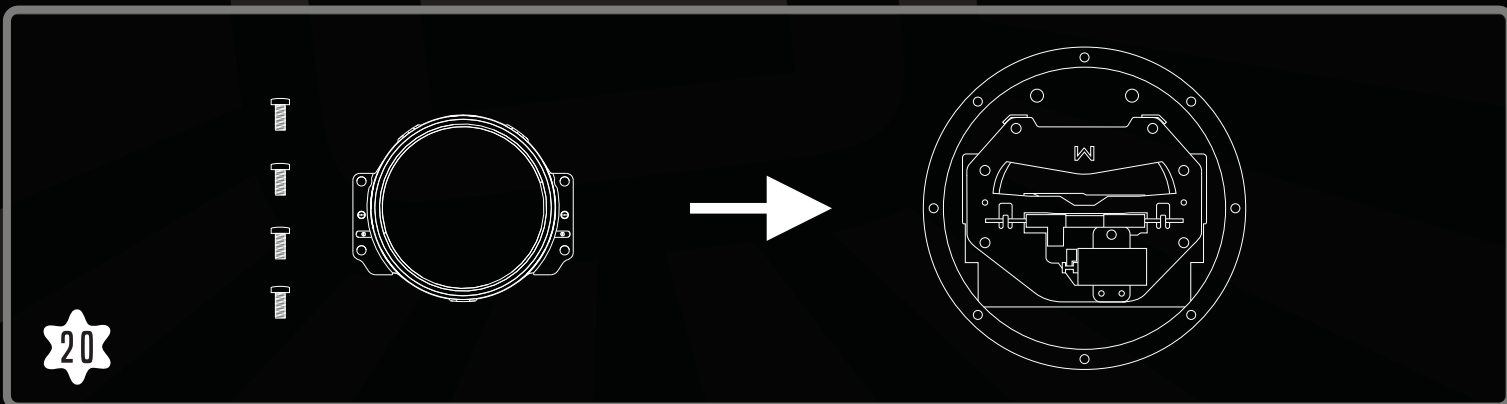
At the rear, fit the six (6) rubber washers and three (3) M3 Allen cap head screws into the indicated holes. Tighten until snug.



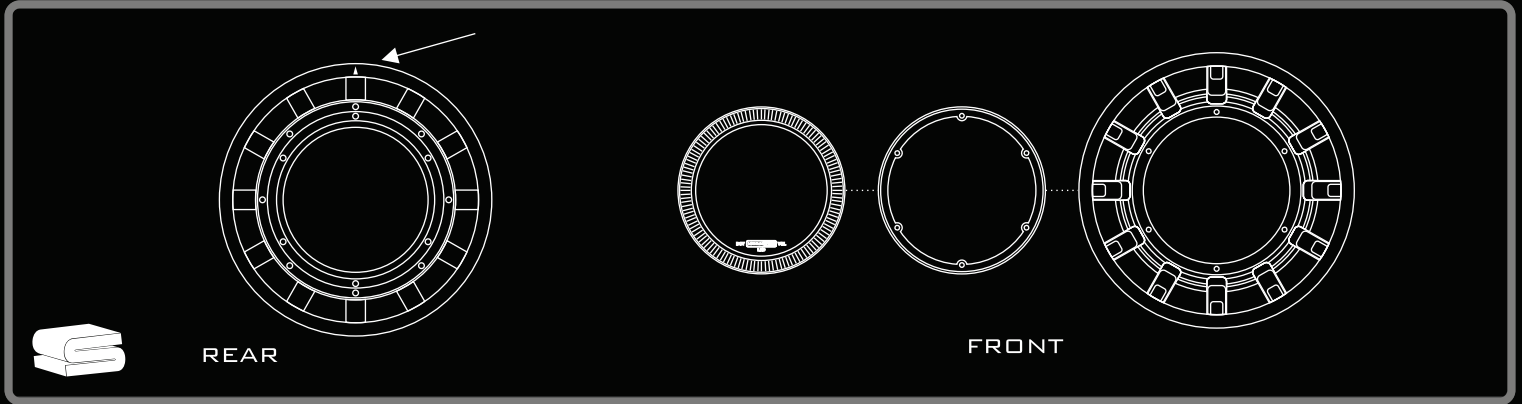
Tighten until snug the two (2) M4 Allen cap head screws of the projector.



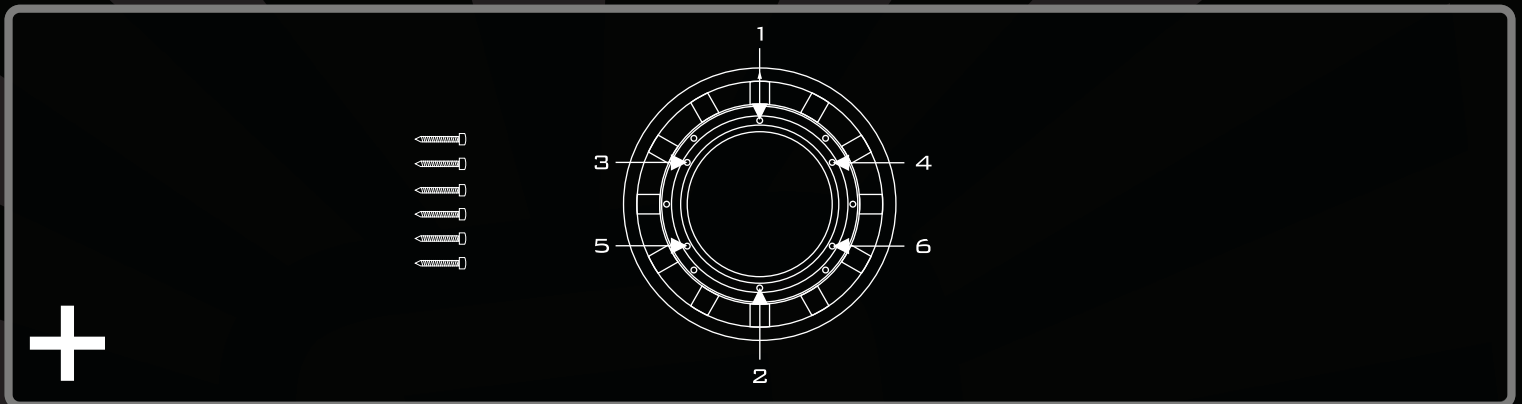
Fit the lens holder and 4x T20 torx screws back to the front of the projector and tighten until snug.



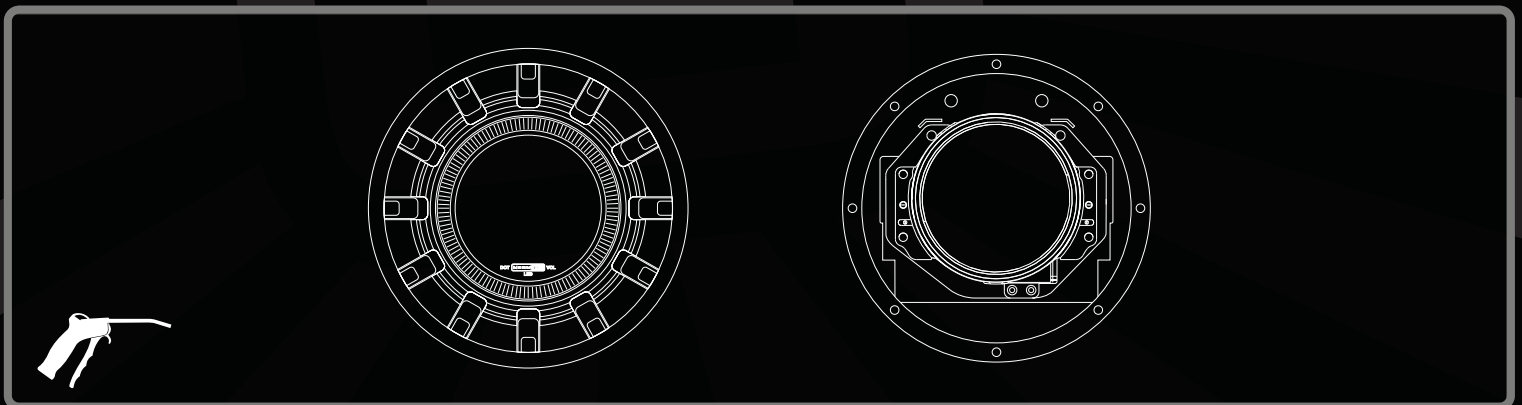
At the rear of the front half, locate the arrow, indicating "up". The lens is keyed specifically to fit only one direction against the front half. Fit the smaller gasket so that the lens can sit in it once fitted. Then, with the arrow at the top, fit the lens with the logo at the bottom and press to snug against front half.



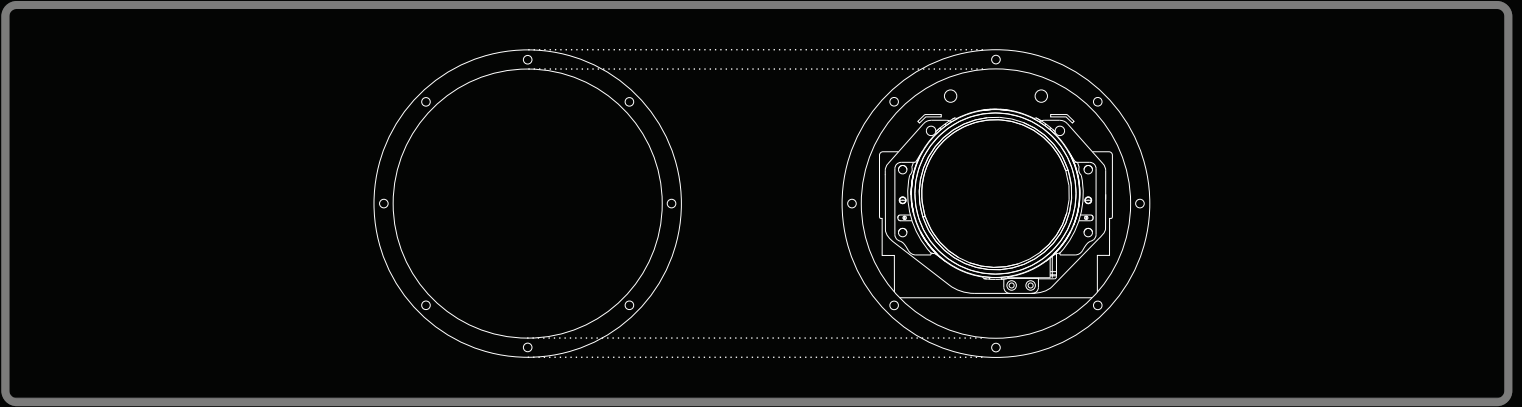
At the rear, fit the six (6) Philips screws into the designated holes and tighten in a star pattern until snug.



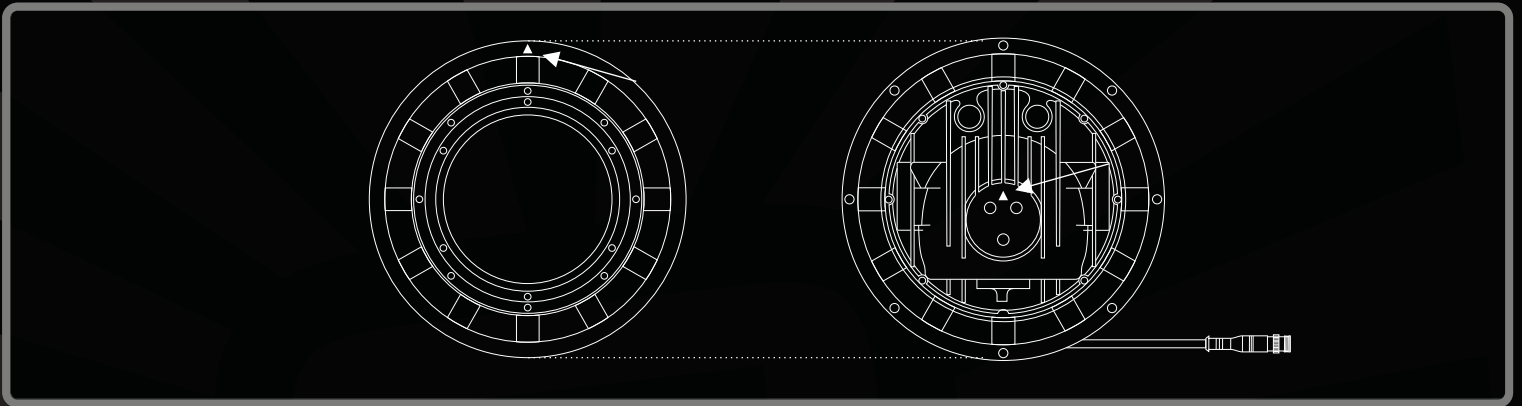
Thoroughly blast the inside of the assembled halves with compressed air to remove any dust particles.



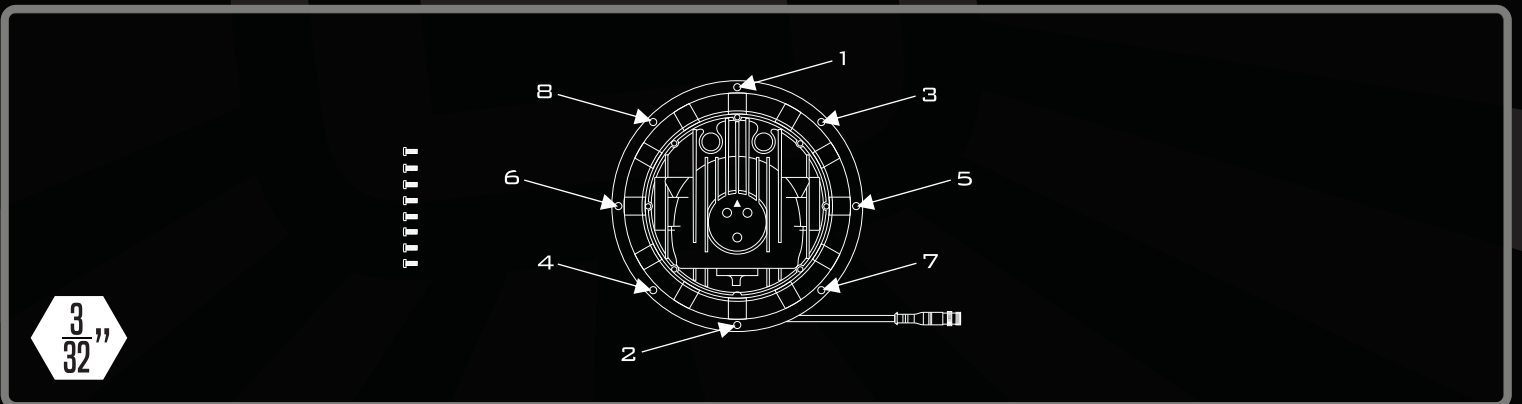
Fit the flat gasket to the front edge of the rear half. Rotate gasket until you can see each hole.



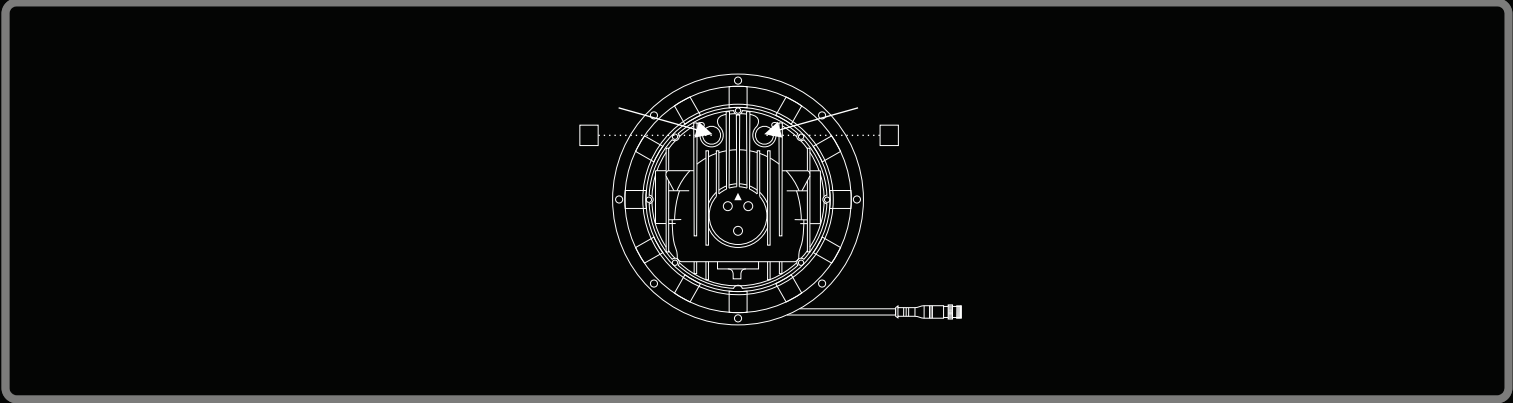
Holding the gasket in place, flip the back half over and fit to rear of front half. Align arrow on back of front half to arrow on back of rear half.



Insert the eight (8) 3/32" Allen cap head screws from behind. Tighten in a star pattern until snug.



Press on the two plastic vents to the specified locations. This completes the assembly process.



### WIRING SCHEMATIC

