



THE AUTOMOTIVE LIGHTING BENCHMARK

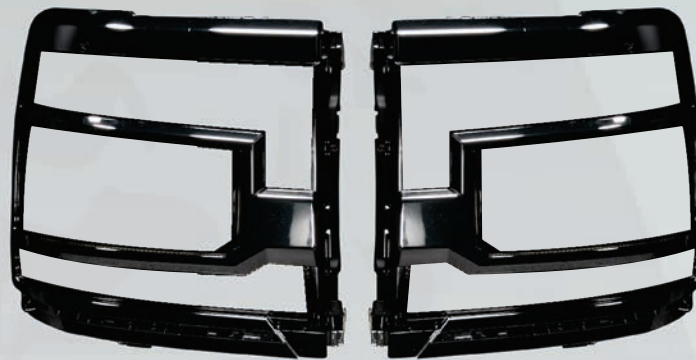
2016-2018 SILVERADO 1500 XB LED HEADLIGHTS INSTALL GUIDE

WARNING: By reading this document, you agree it is only to be used as an educational guide. Morimoto Lighting nor its dealers make guarantees on any finished results, nor are they to be held responsible for any damage, misuse, or personal injuries. If you are unable to clearly understand and adapt the information below, professional installation is recommended.

PACKAGE CONTENTS



2X HEADLIGHT ASSEMBLIES

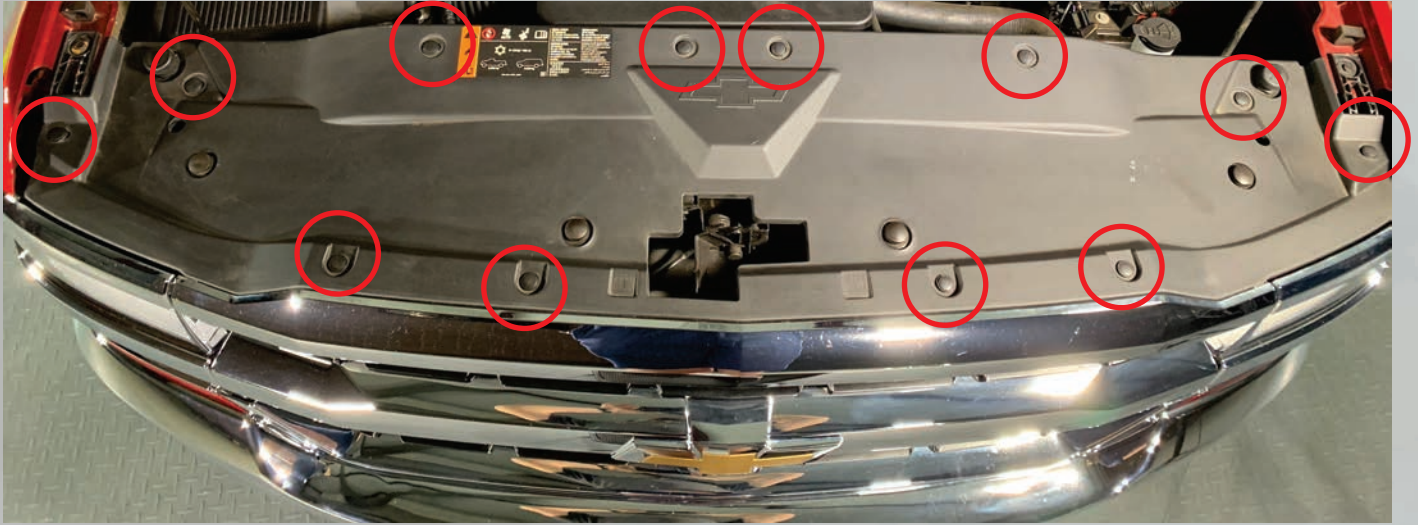


2X TRIM COVERS (BLACK OR CHROME)

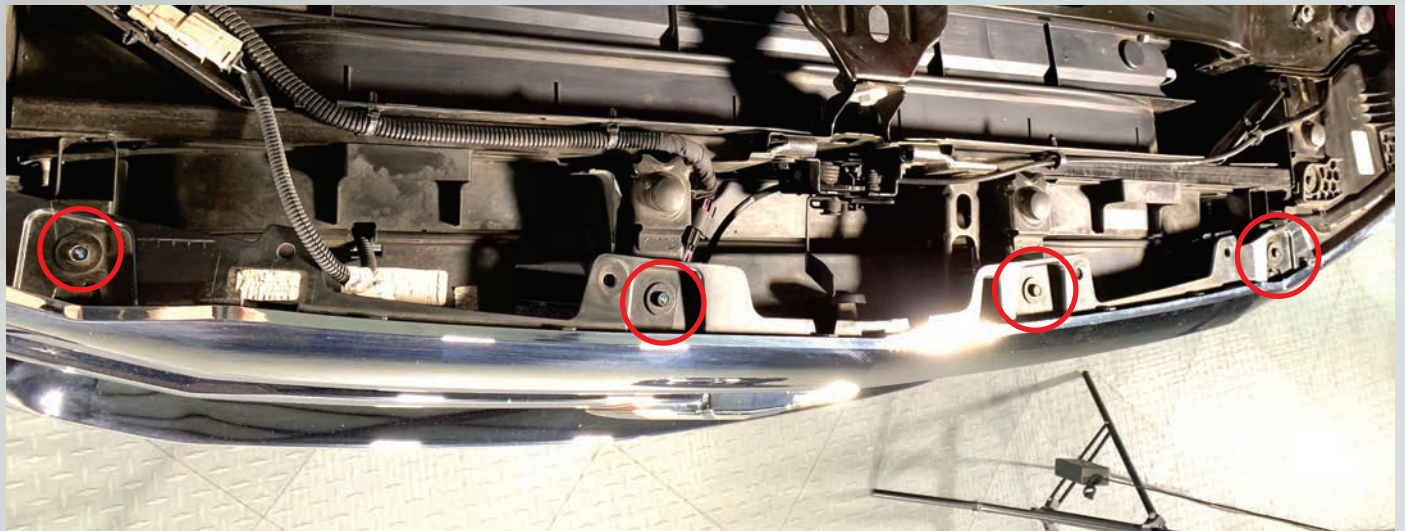
IMPORTANT: If your vehicle is equipped with anything but OEM turn signals (full assemblies, LED bulbs, or otherwise) in the tail lights or elsewhere: You may experience a hyper flash and/or problem with the sequential signal setting on these headlights. This is not a defect in the headlight, and caused by un-matched impedance with your original vehicle settings.

INSTALLATION PROCESS

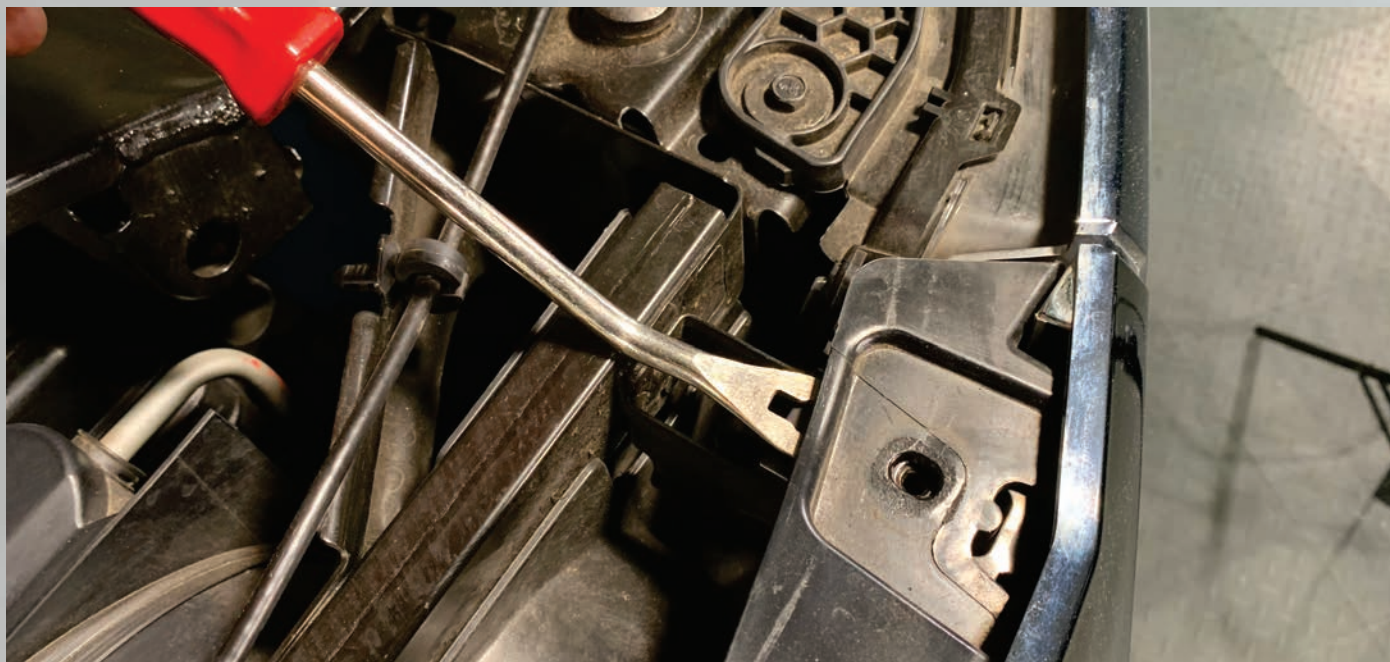
1. Remove the twelve (12) plastic clips holding on the grille cover. Remove and set aside the grill cover.



2. Remove the four (4) 10mm bolts holding the grille to the truck.



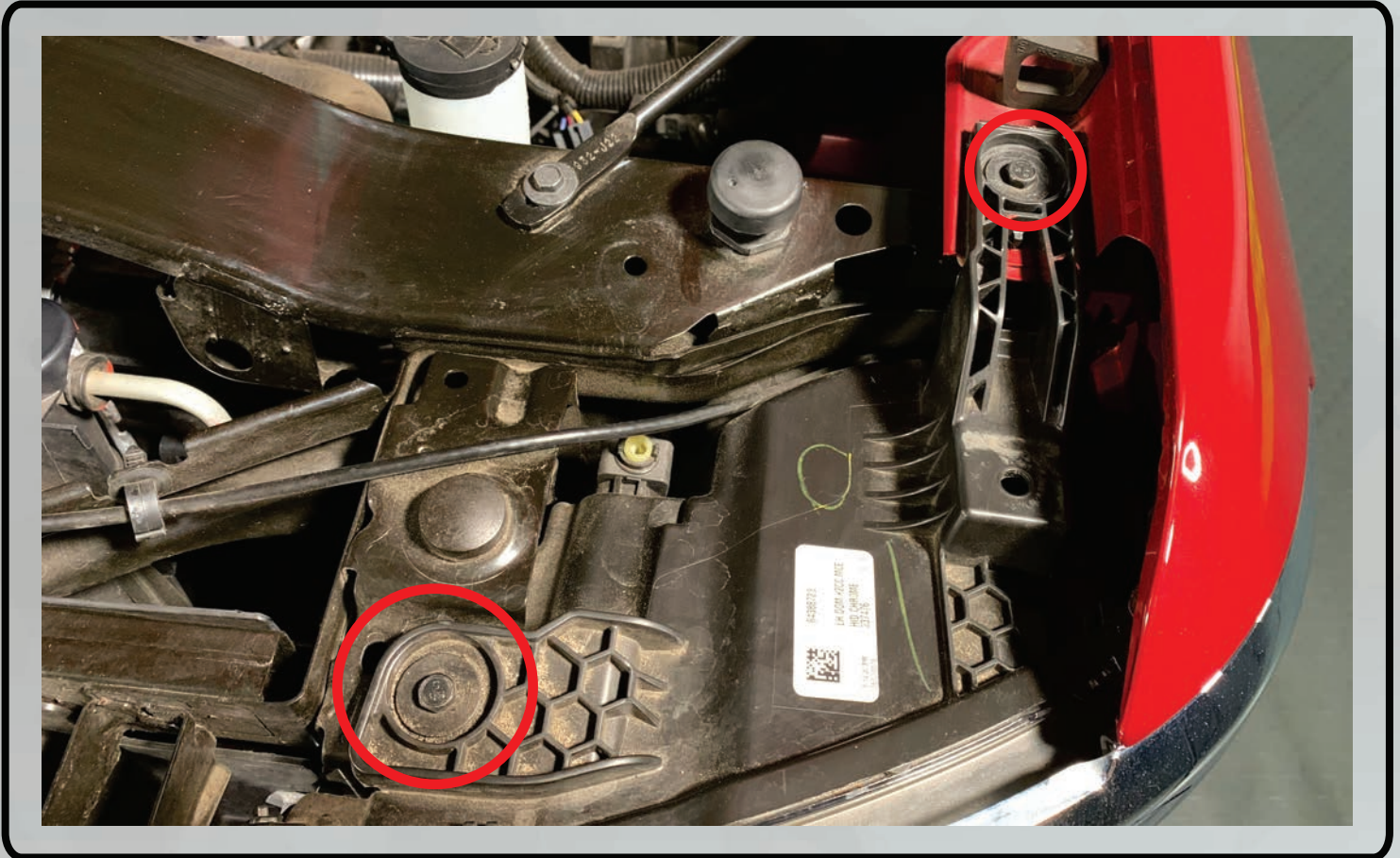
3. Using a trim tool or flathead screwdriver, pop the grille up and off of the tabs where the bolts were previously installed.



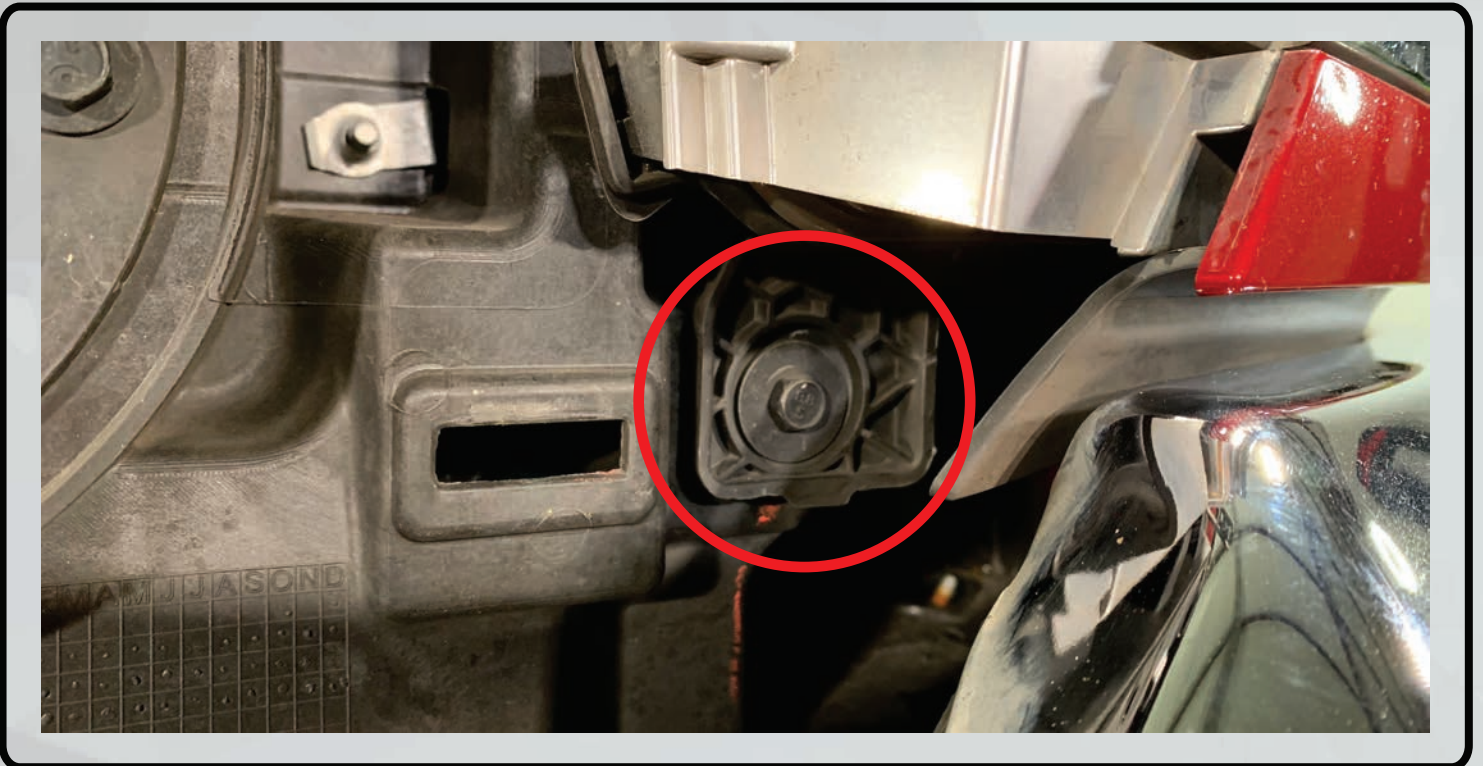
4. To remove the grille, firmly pull forward to release the push clips.



5. Remove the two (2) 10mm bolts from the top of each headlight assembly.



6. Remove the 10mm bolt from the bottom of the headlight behind where the stock grille was.



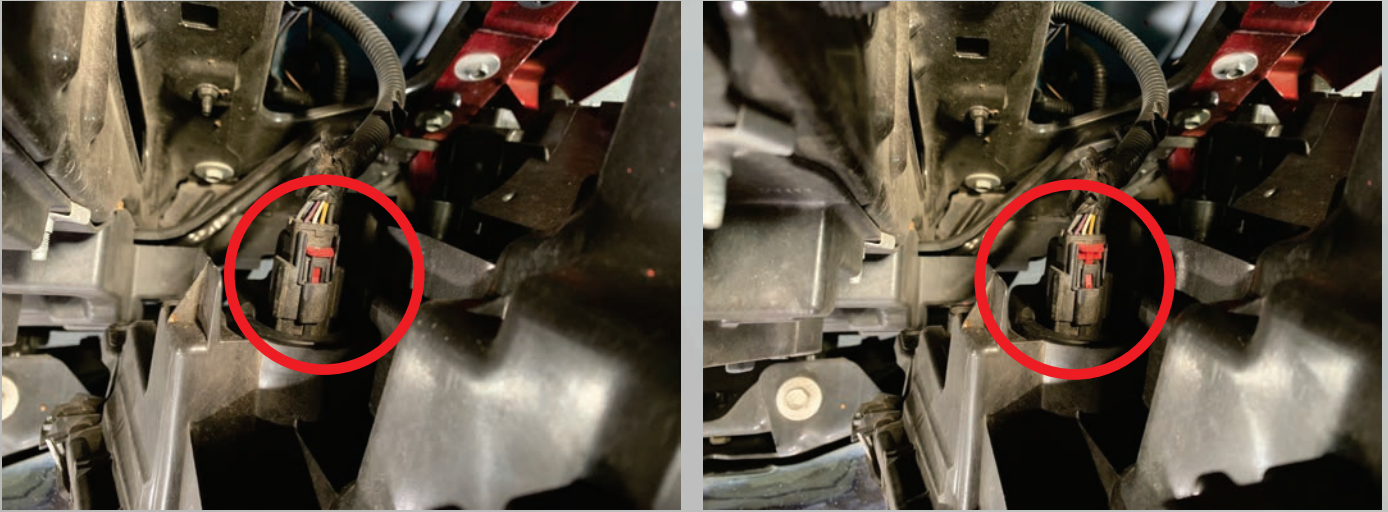
7. Using a T15 Torx screwdriver, remove the screw in the fender liner at the back of the bumper on each side. Reach up behind the fender liner to the side of the headlight and remove the 10mm bolt from each headlight.



8. Back on top, use a trim tool or flathead screwdriver to pop the headlight bracket up and off of the slot in the fender retaining it.

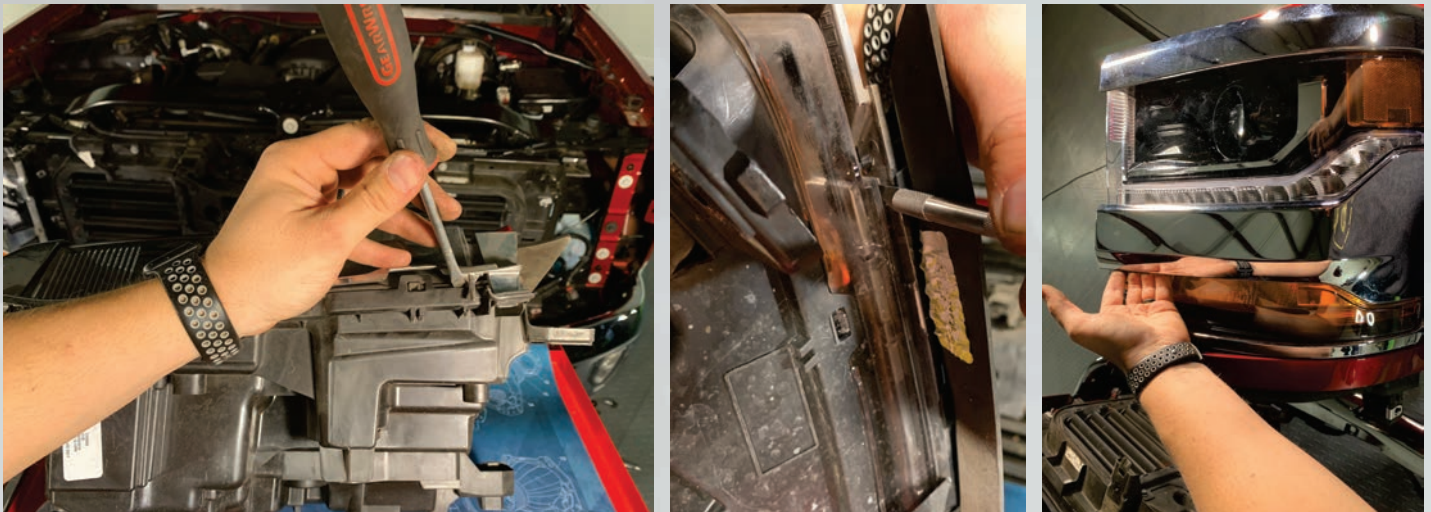


9. Unplug each headlight by pulling back on the red locking tab, then slide the connector off of the headlight.



10. Remove both headlights from the truck and set them on a clean soft work space.

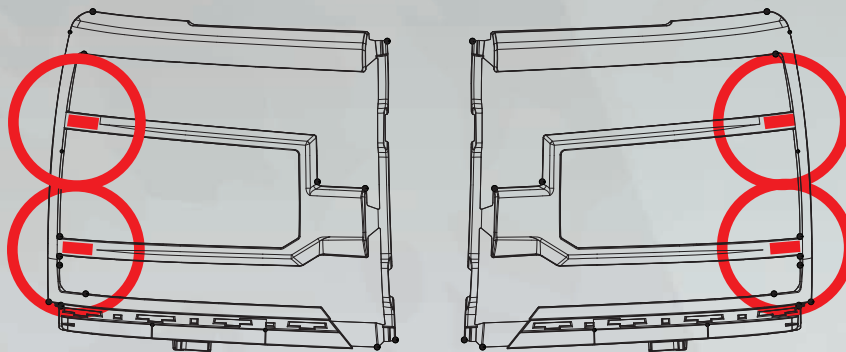
11. Next, you need to remove the chrome trim from the stock headlights to access and remove the stock painted lower trim piece mounted to it. Un-clip all of the clips along the edge and slowly pry the trim off the light, which is held using foam adhesive tape.



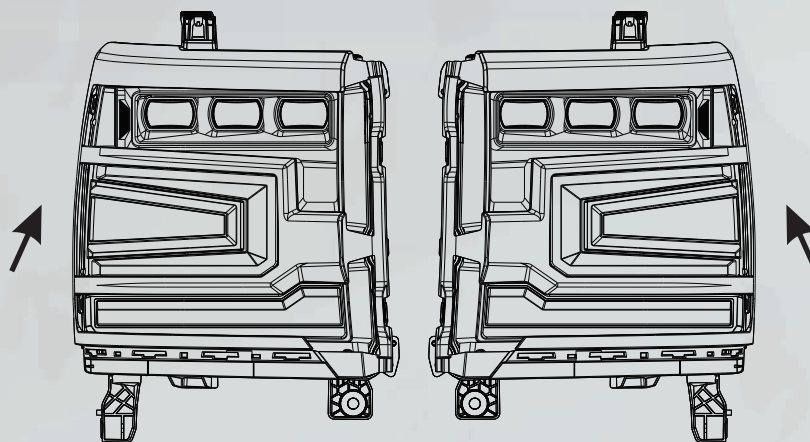
12. Unclip the painted trim from the chrome trim pieces and set the painted trims aside.



13. With the provided alcohol wipes, clean the indicated areas of the back of the trims and corresponding locations on the headlight assemblies.

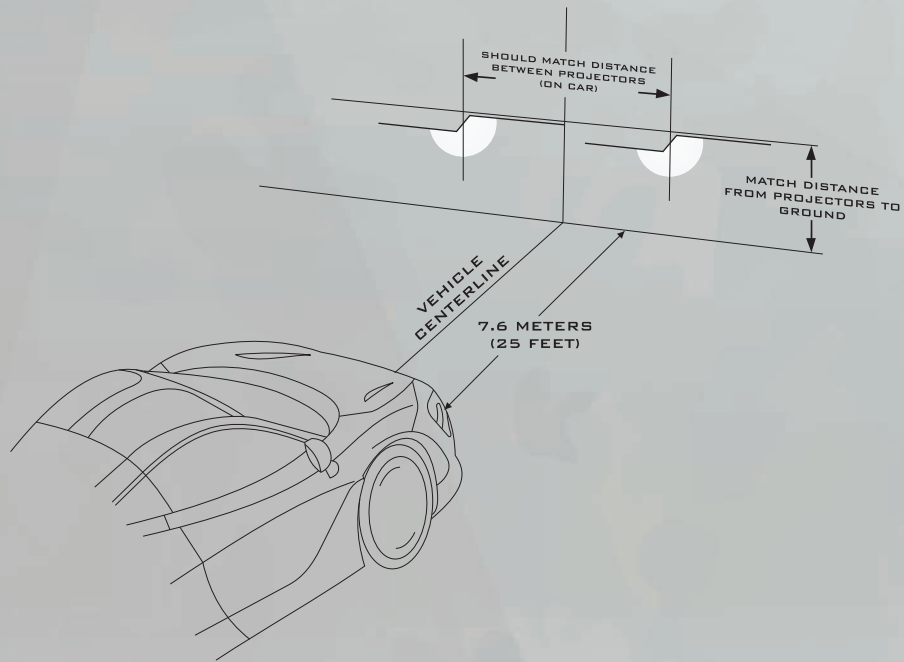


14. Adhere the double-sided foam adhesive pieces to the cleaned locations in step #13. Fit the trims to the front of the headlight and press gently to attach.



15. Click in the factory painted trims at the bottom of each headlight to attach.

16. Please refer to the aiming standards below when adjusting your lights.



17. Configure the turn signals to your preference:

SEQUENTIAL TURN SIGNAL TOGGLE



SEQUENTIAL TURN SIGNAL OPERATION



STANDARD (BLINKING) TURN SIGNAL OPERATION

18. Connect each headlight to the factory connector on each side. Bolt in headlights in reverse order of removal. Install grille in reverse order of removal. Enjoy your new XB LED Headlights!

-END-