

# **MSD** INSTALLATION INSTRUCTIONS

## **Ford 6.2L V8 MSD Coils**

**PN 8274D / PN 8274P / PN 82743D / PN 82743P  
PN 82748 / PN 827483**

**ONLINE PRODUCT REGISTRATION:** Register your MSD product online and you'll be entered in our monthly 8.5mm Super Conductor Spark Plug Wire give-away! Registering your product will help if there is ever a warranty issue with your product and helps the MSD R&D team create new products that you ask for!

**IMPORTANT:** Read the instructions before attempting the installation.

**Parts Included: PN 8274D / PN 82743D    Parts Included: PN 82748 / PN 827483  
PN 8274P / PN 82743P**

1 - Coil

8 - Coils

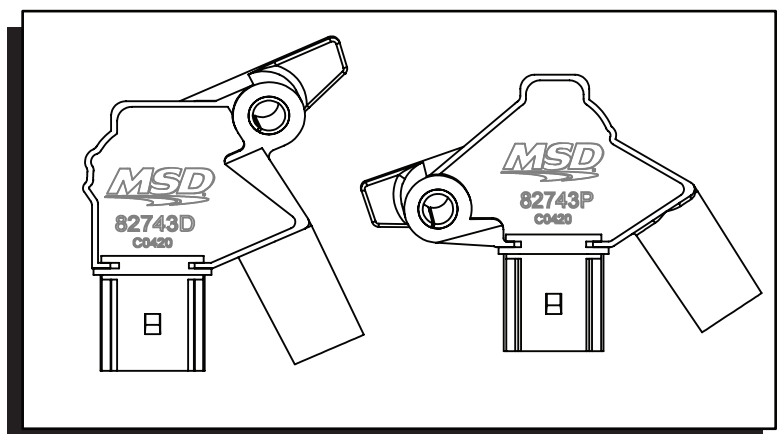
**WARNING:** During installation, disconnect the battery cables. When disconnecting the battery, always remove the Negative cable first and install it last.

Note: MSD recommends using a dielectric grease such as Spark Guard, PN 8804, to help the installation, removal, and to prevent moisture build-up in the spark plug boot.

1. Remove the spark plug wire.
2. Disconnect the coil connector.
3. Remove the coil retaining bolt and remove the coil.
4. Install the new MSD coil over the spark plug. Make sure the boot slides over the plug and fits in place.
5. Install the retaining bolt, and plug in the connector.

### **MOUNTING**

These coils are marked with either a "D" for Driver side or a "P" for Passenger side at the end of the part number to indicate which side they belong to (Figure 1). Follow the installation instructions above when installing the MSD coils, and torque the mounting bolts to OEM specs (89 in-lbs).



**Figure 1 Driver and Passenger Coils**