

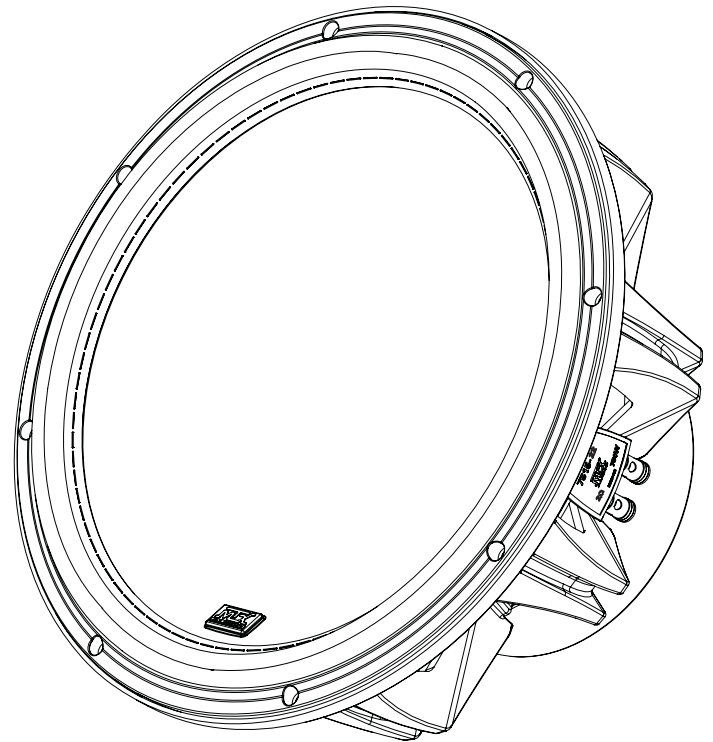


# 7515-22

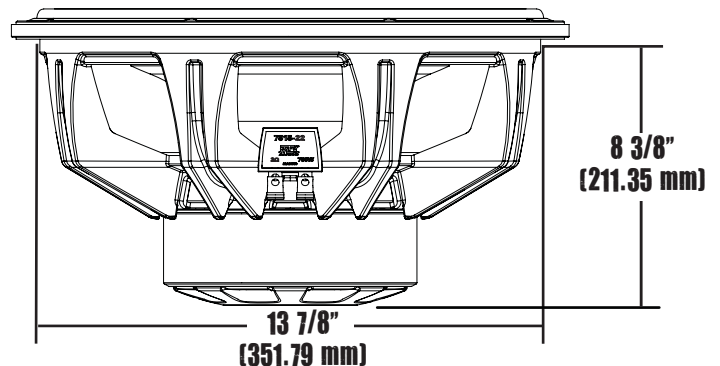
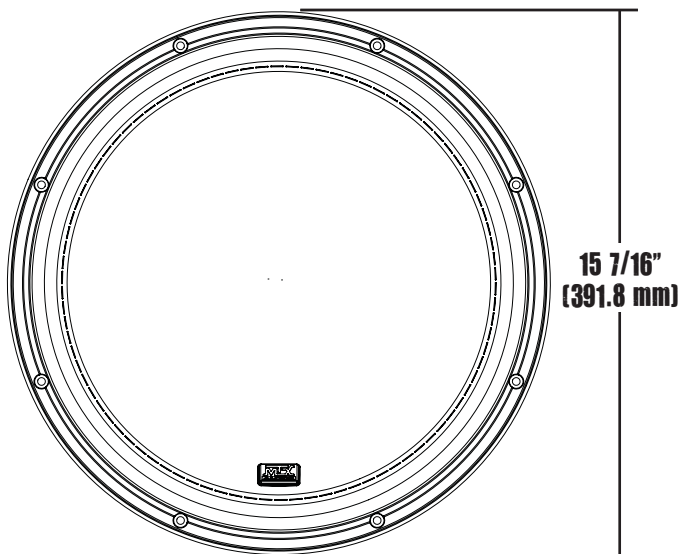
## 1500W Peak Power Subwoofer

### Parameters

Fs: 26 Hz  
Qms: 5.61  
Cms: 0.126 mm/N  
Mms: 313 g  
Rms: 8.66 kg/s  
Vas: 5.114 ft<sup>3</sup> (144.8 liters)  
Xmax: 0.66 in (16.7 mm)  
D: 13.32 in (338.4 mm)  
Sd: 139.44 in<sup>2</sup> (899.6 cm<sup>2</sup>)  
Vd: 91.66 in<sup>3</sup> (1.502 liters)  
Qes: 0.66  
Re: 0.80 Ω  
Bl: 7.77 Tm  
Prms: 750 Watts  
Qts: 0.59  
n0: 0.372%  
SPLo: 87.85 dB  
SPL 2.83V/1m: 97.85 dB



### Specifications



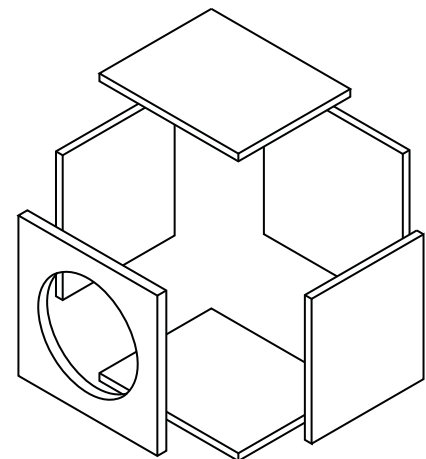
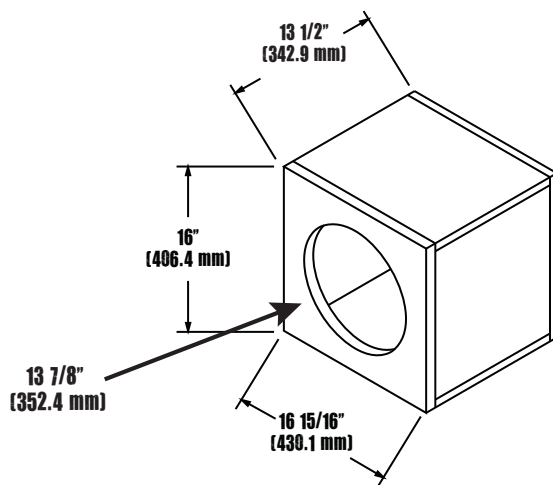
**Recommended Power Rating of 375 - 750 Watts RMS**

# 7515-22 Recommended Enclosures

For the best possible sound quality where space is a premium, MTX recommends using a sealed enclosure. For excellent sound quality with increased output compared to sealed enclosures (3dB or more), MTX recommends using a vented enclosure. All recommended enclosures have been designed and thoroughly tested by MTX.

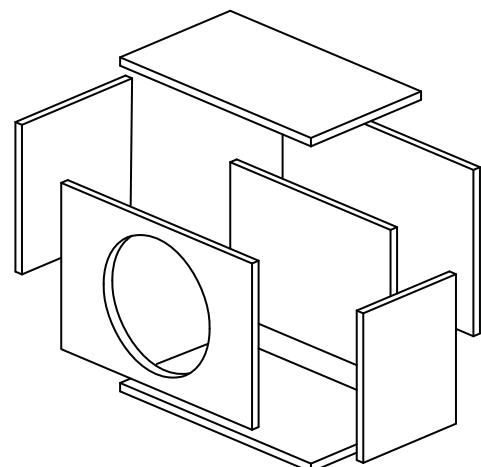
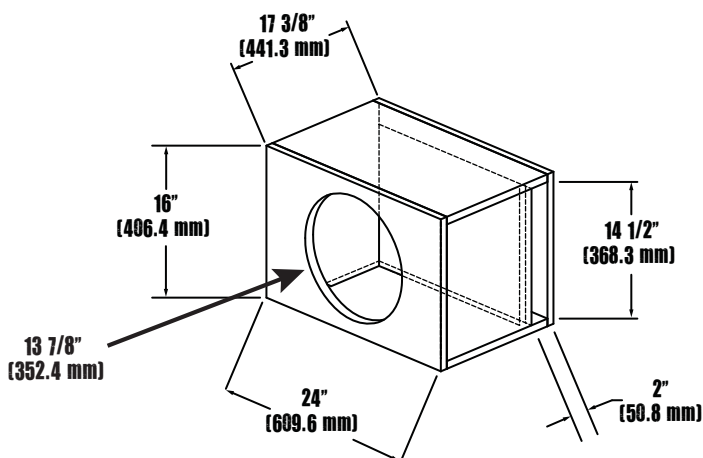
For additional enclosure designs check the MTX website, the barcode will take you to the box design page.

## Sealed Enclosure



Net Internal Volume: 1.50 ft<sup>3</sup>

## Vented Enclosure



Net Internal Volume: 2.48 ft<sup>3</sup>  
Port length: 20"