

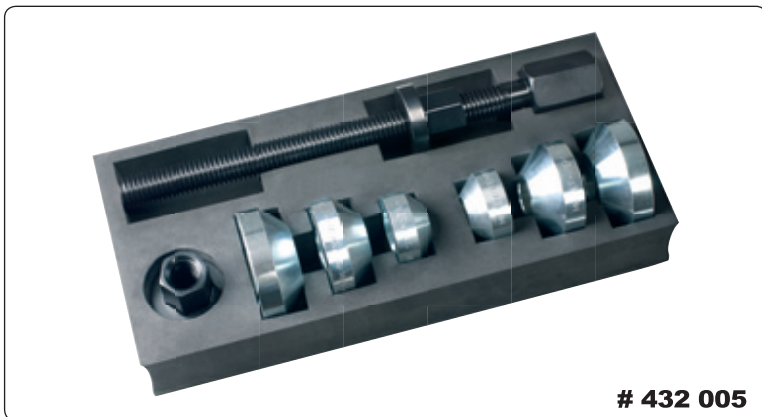
UNC ADAPTER 5/8"



UNC Adapter 5/8" for use with # 432 005 Twin Cone Wheel Bearing Kit.

Can modify almost any slide hammer to use with the Twin Cone Wheel Bearing Kit.

433 450-45 UNC Adapter 5/8"



432 005