

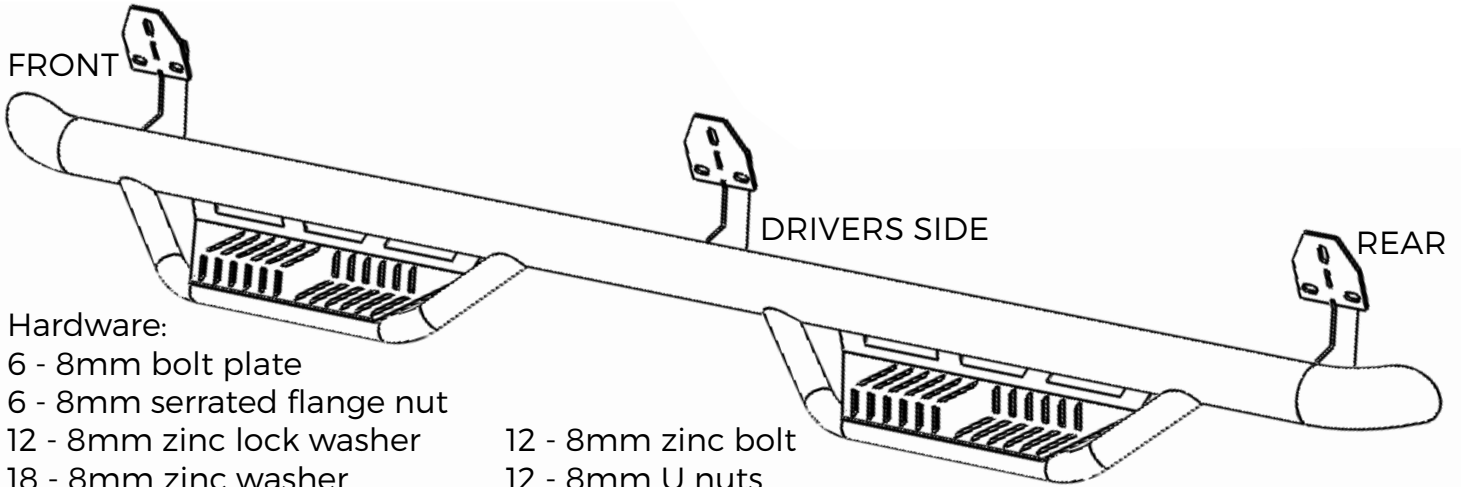


Installation Instructions:

N-Fab Podium Nerf-Steps

HPD0984CC-TX / HPD0984CC-SS

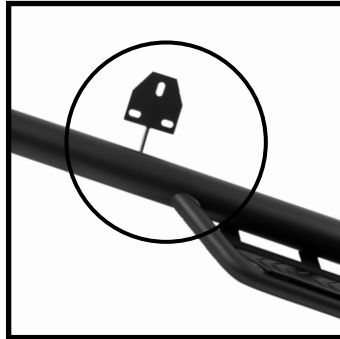
RAM
2009-2014
1500-4500 CREW CAB



- Hardware:
- 6 - 8mm bolt plate
 - 6 - 8mm serrated flange nut
 - 12 - 8mm zinc lock washer
 - 12 - 8mm zinc bolt
 - 18 - 8mm zinc washer
 - 12 - 8mm U nuts

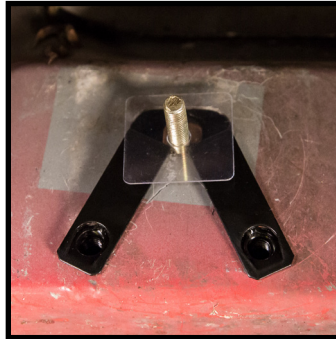
STEP 1:

Identify the driver and passenger bars. The center bracket is closer to the rear step than the front. Use this to determine each side.



STEP 4:

Place clear retainer over stud on bolt plate. Fish bolt plate through the body of the truck. Slide retainer tight to stud. Take your time here, avoid dropping bolt plate into the body.



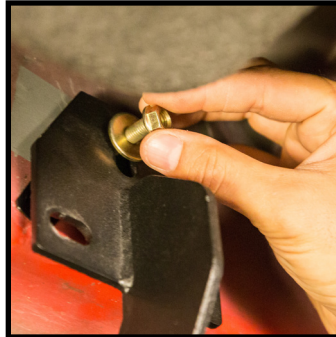
STEP 2:

Each mounting bracket consist of 3 mounting holes. All three holes will be used to mount to the truck.



STEP 5:

Carefully place step onto Place. Hand tightening the upper nut to bolt plate with washer. Best to have a assistant to lift and hold board in place. Insert and hand tightening lower bolts.



STEP 3:

Remove OE boards if equipped then locate mounting holes. Insert U nuts to the bottom two holes



STEP 6:

Begin tightening nuts & bolts in a alternating pattern. **Avoid using power or air tools.** Tighten to 20ft lbs torque to secure the board to the truck. Repeat the same procedure to the other side.

