



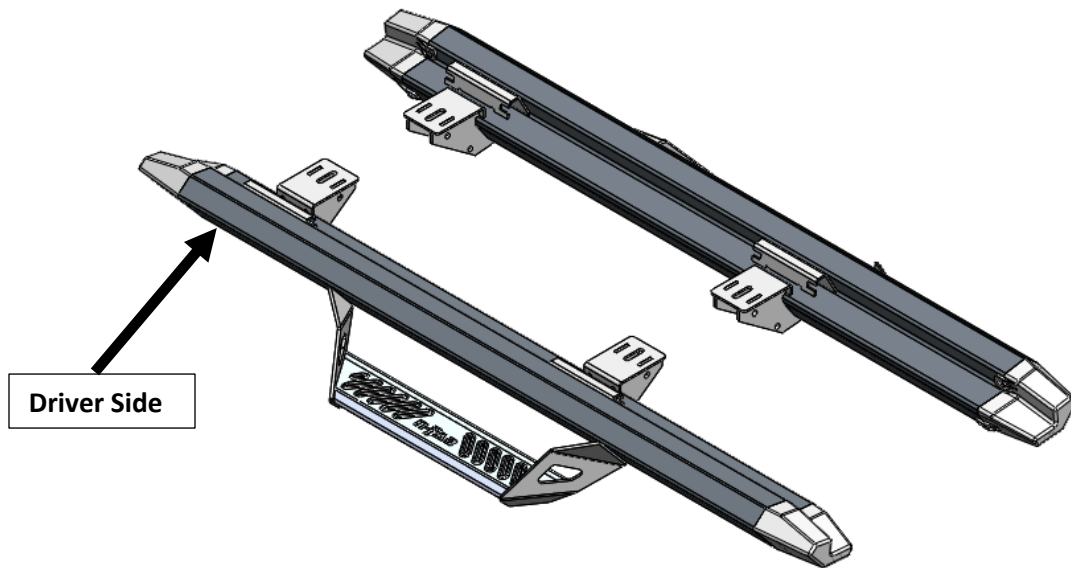
I-SHEET #: INST-00032
 PART NUMBER: PRJ0745, PRJ1245
 PRODUCT: ALUMINUM HOOP STEP
 APPLICATION: 2007-2018 Jeep JK 2Dr

PREDATOR PRO

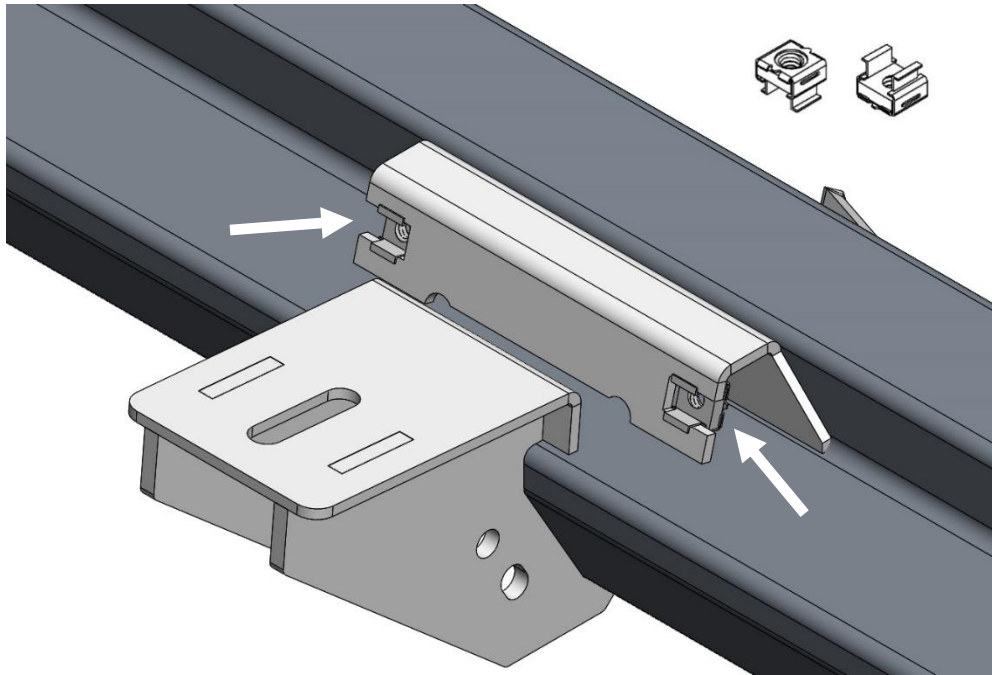


HARDWARE DESCRIPTION	QTY.
HWKT-00029X	1
3/8"-16 x 9/16" BARREL NUT CLIP	4
3/8"-16 X 1-1/4" HEX CAP SCREW	4
3/8" USS FLAT WASHER ZNC	4
M8 FENDER WASHER	4
M8-1.25MM X 35MM HEX CAP SCREW	4
1/4"-20 x 3/4" HEX CAP SCREW	8
1/4" USS FLAT WASHER	8
1/4"- 20 CLIP-ON NUT	8

Step 1: Identify Driver and Passenger side Nerf-step.



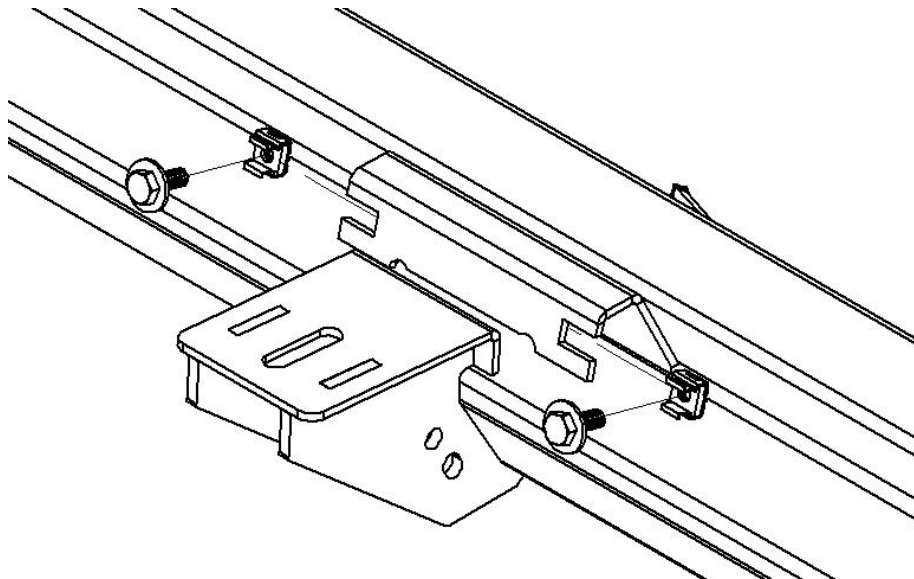
Step. 3 Starting with the passenger side step rail, install the supplied (x6) 5/16" snap nuts into the two notches in each mounting bracket.



Step. 4 Carefully raise step rail up to the pinch weld of the body and align brackets up with the factory mounting locations.

Step. 5 Depending on your hardware selection made in step 2, fasten the upper mounts and leave loose at this time.

Step. 6 Next, start all (x6) 1/4"x3/4" hex bolts and (x6) M8 flat washers in the upper bracket mounts through the pinch weld and leave loose.





I-SHEET #: INST-00032
PART NUMBER: PRJ0745, PRJ1245
PRODUCT: **ALUMINUM HOOP STEP**
APPLICATION: **2007-2018 Jeep JK 2Dr**

Step. 7 After final positioning, tighten all (x6) $\frac{1}{4}$ " x $\frac{3}{4}$ " hex bolts no more than 6 ft/lbs. torque.

Step. 8 Next, tighten all (x3) lower mounting positions to 17-20 Ft/lbs. torque.

Step. 9 Repeat steps 2-8 for passenger side.