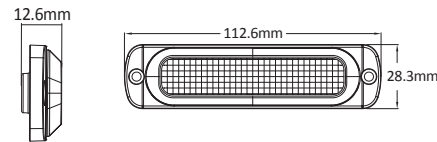
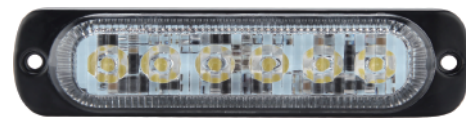


OPERATION INSTRUCTION

LED LIGHTHEAD

Specifications

- Base: Aluminum
- Mount: Surface mount
- Lens: Polycarbonate
- LEDs: 6 PCS
- Voltage: 10-30VDC
- Max Current Draw for 6 LEDs:
0.25AMP @ 12VDC / 0.12AMP @ 24VDC
- Max Power for 6 LEDs: 3 Watt
- Flash Patterns: 19
- Single Colors: Amber / Blue / White / Green / Red



Flash patterns

- | | | | |
|------------------|-----------------------|----------------|-------------------------|
| • Random | • Mega (split) | • Double (all) | • Single-Quad (all) |
| • Single (split) | • Ultra (split) | • Quad (all) | • Single H/L (all) |
| • Double (split) | • Single-Quad (split) | • Quint (all) | • Steady 2 (California) |
| • Quad (split) | • Single H/L (split) | • Mega (all) | • Steady 4 (all) |
| • Quint (split) | • Single (all) | • Ultra (all) | |

- * SPLIT=Head1 alternate Head2 *ALL=all LEDs on
- Warranty: 1 Year

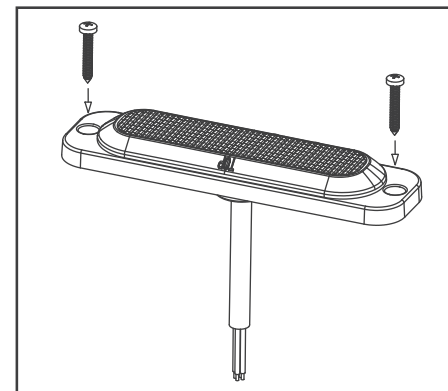


- Proper installation of this product requires the installer to have a good understanding of automotive electronics, systems and procedures.
- Failure to use specified installation parts or hardware will void the product warranty.
- For this product to operate at optimum efficiency, a good electrical connection to chassis ground must be made.
- It is recommend that these instructions be stored in a safe place and referred to when performing maintenance or reinstallation of this products.
- Do not install and/or operate this safety product unless you have read and understand the safety information contained in this manual.

This document provides all the necessary information to allow your product to be properly and safely installed. Before beginning the installation and operation of your new product, the installation technician and operator must read this manual completely.

Installation Instruction

- Read all safety notes and mounting guidelines before installing the product. Verify that all parts listed under "In the Box" are present and complete. (Picture 1)
- Verify that all power supply comply to the specified voltage limits for the light.



Picture 1

Wiring Instruction

To +VDC (Fuse @ 3A)-----RED
 To Chassis Ground-----Black
 For Synchronization-----Yellow
 For Asynchronization-----Green

Wiring 2 or more lights to synchronize:

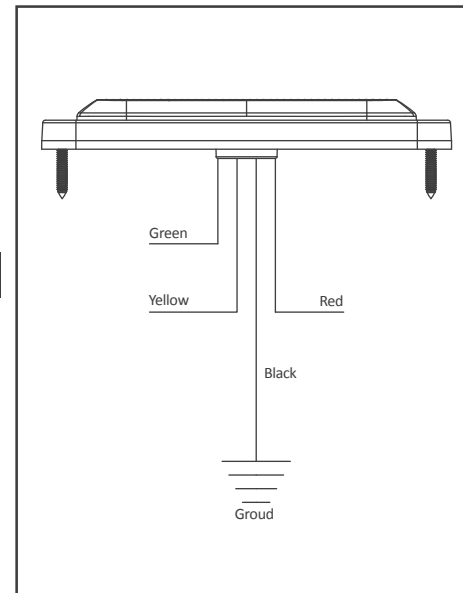
- All Red wires to positive (+)
- All Black wires to ground (-)
- All Yellow wires must be tied together and touch to "+ "to change patterns

NOTE for synchronizing:

- After attaching all wires, (turn on power) touch and hold yellow wires to " + "for 3-4 seconds and all lights will go out for one second and then come back on. They are now synchronized and every time you touch yellow wire to "+", it will change the pattern on all lights.

Wiring 2 or more lights to "wig-wag" asynchronization :

- Follow instructions for synchronizing and then attach one green wire to power and lights will wig-wag back and forth. You can still change patterns in this mode by touching yellow wire to "+".



Important! This unit is a safety device, and it must be connected to its own separate, fused power point to assure its continued operation should any other electrical accessory fail.