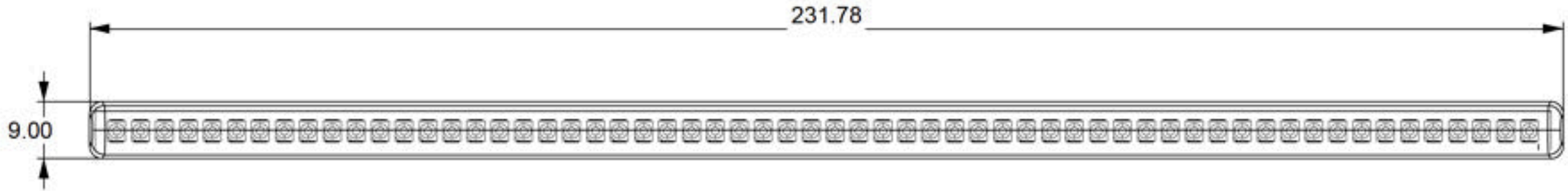


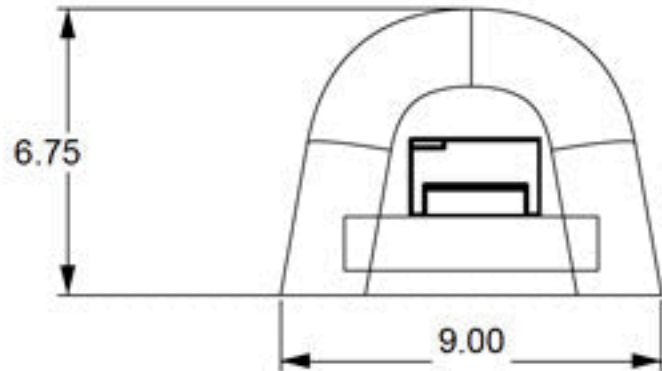
Top View



Side View



Front View



ORACLE LIGHTING

THIS PRINT CONTAINS CONFIDENTIAL INFORMATION WHICH IS THE PROPERTY OF ORACLE LIGHTING. BY ACCEPTING THIS INFORMATION THE BORROWER AGREES THAT IT WILL NOT BE USED FOR ANY PURPOSE OTHER THAN THAT FOR WHICH IT IS LOANED.

REVISED
DATE: 6-JAN-2022

CHANGES FOR THIS REVISION
RELEASED FOR REVIEW FOR PRODUCT CHANGES

SIMILAR TO

UNLESS OTHERWISE SPEC'D DIMS ARE IN mm AND TOLERANCE FOR:

- WHOLE DIMS ±
- 1 PLACE DIMS ± .05
- 2 PLACE DIMS ±
- ANGLE DIMS ±

NAME

ORACLE PART# 4512-XXX

SIMILAR TO

1 : 1



THIRD ANGLE
PROJECTION

SHEET OF

2/2

DRAWING NUMBER

1

R

Ø