



LED HEADLIGHT INSTALLATION

JEEP WRANGLER JK 2007-2017



STEP 1: Open the hood and remove the (6) plastic rivets in the upper grill using a flathead screwdriver.

STEP 2: Disconnect the turn signal wires so that the grill can be removed and set to the side.



STEP 3: Remove the (4) T15 Torx Screws that hold the headlight trim ring bezel and lamp housing in place.

STEP 4: Connect the new LED Headlight to the factory plug
On Jeep JK use the included headlight flicker free module.



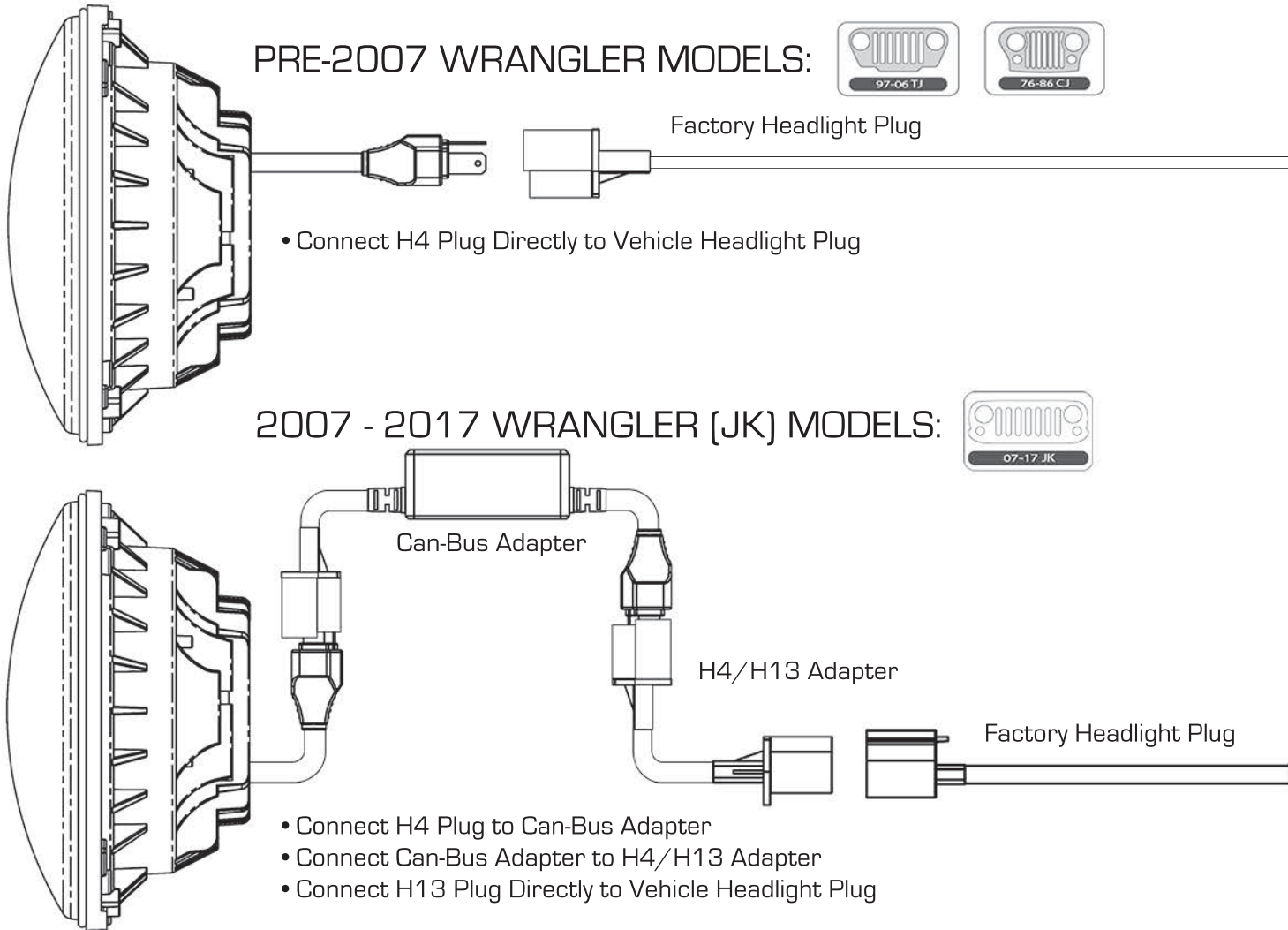
Needed for JK Model Only.



STEP 5: Slide Red Clip to Lock. If you can not squeeze together use a needle nose pliers to slide the clip. Now Reverse Steps 1-3.

ORACLE LIGHTING

ORACLE REPLACEMENT LED HEADLIGHT WIRING GUIDE:



TROUBLE	FAULT	ACTION
Lights work with the engine off but when engine is running the lights flash/ flicker.	Can-Bus Error.	Install or Replace Can-Bus Adapter (2007-2017 JK Wrangler Models).
High Beam projector is not illuminating when vehicle engine is running or off.	Can-Bus Error.	Install or Replace Can-Bus Adapter (2007-2017 JK Wrangler Models).

IF YOU NEED A REPLACEMENT CAN-BUS ADAPTER PLEASE CONTACT US TO GET THE REPLACEMENT PARTS SENT OUT

If you connect the can-bus adapter and the headlights do not function you do not have a can-bus Jeep and can remove the adapter.



ORACLE LIGHTING

DYNAMIC COLORSHIFT
RGB 7" LED HEADLIGHTS

PART #5769-332

PRODUCT OVERVIEW

- Dynamic™ LEDs can make a Variety of LED Colors and Patterns.
- The Dynamic Colors and Patterns are controlled through the Smartphone App.
- Color lights are for “show use” and is not intended for on-road use.
- Control by selecting the device when you open the App.
- Be sure “Location Services” is turned ON in the Phone Settings Menu.
- In the App Settings, be sure to set the Quantity of LEDs to “54”.



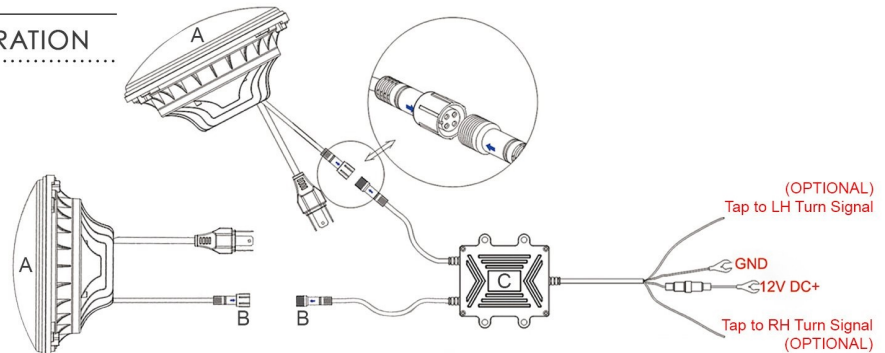
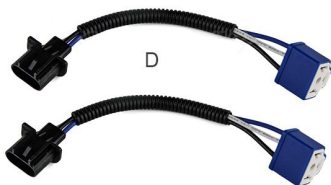
DOWNLOAD THE APP:
“RGB LIGHTS”



*This is a generic App that works with the LED Protocol. ORACLE plan to release a new app in the near future.

CONTENTS AND WIRING ILLUSTRATION

- (A) 2x LED Headlights
- (B) Plug and Play Connectors
- (C) LED Wireless Controller
- (D) 2x H13 Wiring Adapters



READ BEFORE INSTALLATION

- Connect the controller to + and - with the Fuse on the + Power Cable.
- Install the App and Connect to the Device in the App Settings.
- **PRO-TIP:** Turn on and off Halos without the App.

Flash the High beam 3 Times (Very Quickly) to turn on the halos.

Flash the High beam 3 Times (Very Quickly) to turn off the halos.



ORACLE

LIGHTING