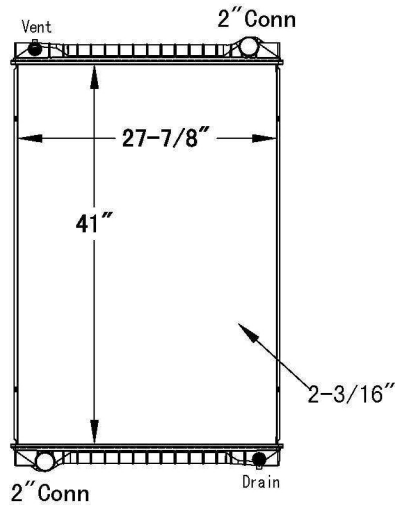




PART# HD1167



 Freightliner Sterling	Year: 2003-2007 Model: Condor	Core Size: 41 x 27-7/8 x 2-3/16"
	INLET: Header: 3 x 29-1/8" Connection: 2"	OUTLET: Header: 3 x 29-1/8" Connection: 2"
	Trans. Oil Cooler: NONE	Eng. Oil Cooler: NONE
	OEM#: A0520667000/ A0520668001/ A0520668000/ A0520802001/ A0520667001/ A0520668006	