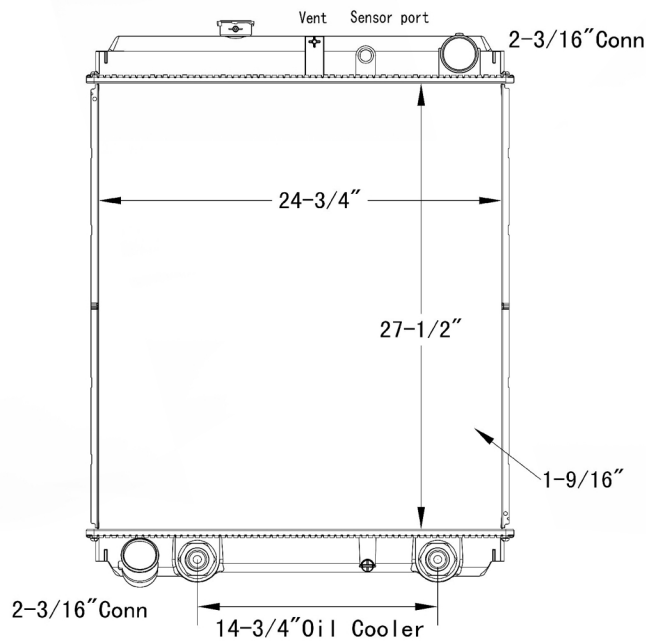




PART# HD1175



Hino

Year: N/A
Model: N/A

Core Size:
27-1/2 x 24-3/4 x 1-5/8"

INLET:
Header: 2-3/4 x 26-3/16"
Connection: 2-3/16"

OUTLET:
Header: 2-3/4 x 26-3/16"
Connection: 2-3/16"

Trans. Oil Cooler: 14-1/2" Eng. Oil Cooler: NONE

OEM#: 16400E0070/ S160906840/
16400E0071/ S16A0E0540