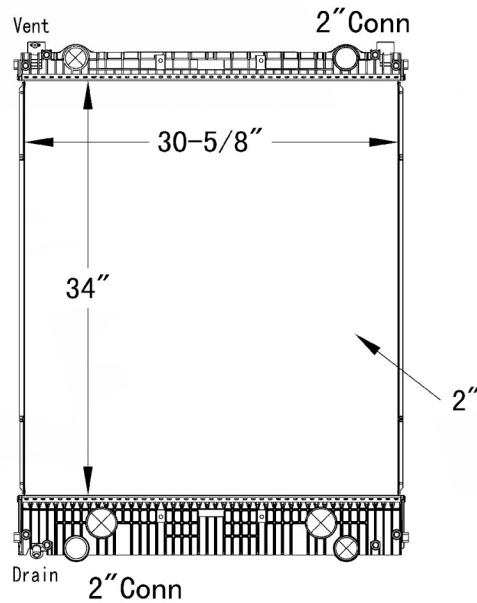




# PART# HD9103



**Freightliner/Sterling**

**Year:** 2008-2011

**Model:** M2 106  
Business Class/Acterra

**Core Size:**

34 x 30-5/8 x 2"

**INLET:**

Header: 2-7/8 x 31-9/16"  
Connection: 2"

**OUTLET:**

Header: 2-7/8 x 31-9/16"  
Connection: 2"

Trans. Oil Cooler: NONE

Eng. Oil Cooler: NONE

**OEM#:**

A0528847000