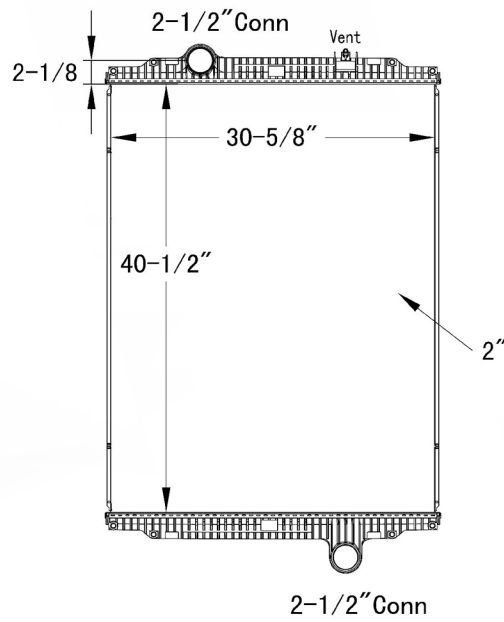





## PART# HD9108



|  |  |   |
|--|--|---|
|  <p><b>Kenworth</b></p> | <p><b>Year:</b> 2006-2010<br/><b>Model:</b> T660/W900/<br/>W900B2</p>                | <p><b>Core Size:</b><br/>40-1/2 x 30-5/8 x 2"</p>                         |
|  | <p><b>INLET:</b><br/>Header: 2-7/8 x 31-9/16"<br/>Connection: 2-1/2"</p>             | <p><b>OUTLET:</b><br/>Header: 2-7/8 x 31-9/16"<br/>Connection: 2-1/2"</p> |
|  | <p>Trans. Oil Cooler: NONE</p>   | <p>Eng. Oil Cooler: NONE</p>  |
|  | <p><b>OEM#:</b><br/>F3160881101120/ F3160881103410/<br/>F3160881105100/ N4020001</p> |   |