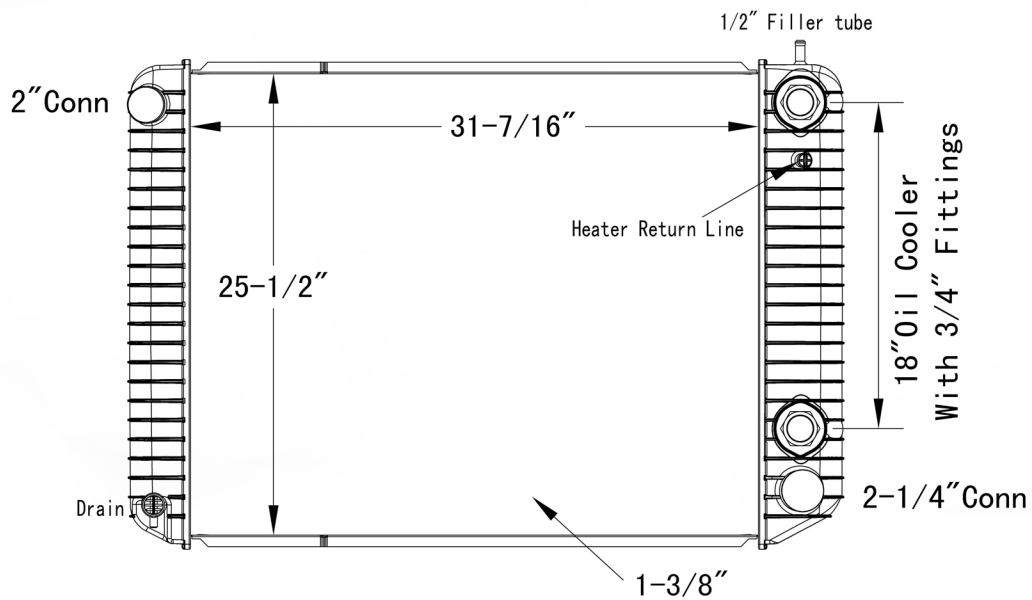





PART# HD9119



 <p>General Motors</p>	<p>Year: 1996-2001 Model: Topkick, Kodiak</p>	<p>Core Size: 31-7/16 x 25-1/2 x 1-3/8"</p>
	<p>INLET: Header: 3 x 26-3/4" Connection: 2"</p>	<p>OUTLET: Header: 3 x 26-3/4" Connection: 2-1/4"</p>
	<p>Trans. Oil Cooler: 18" (6-Plate) w/ 3/4" Fittings Eng. Oil Cooler: NONE</p>	
	<p>OEM#: 20506/ 21641/ 52452179/ 89018626/ RA1021</p>	