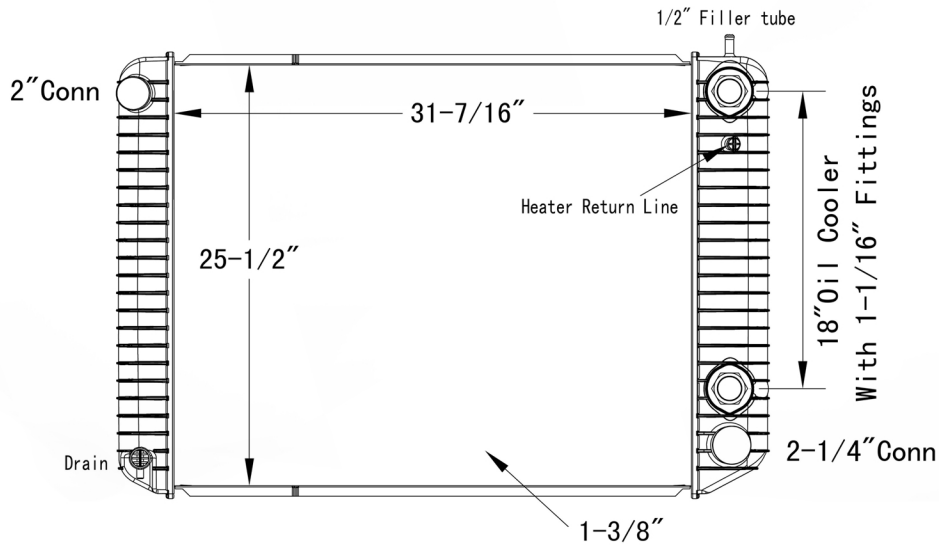





PART# HD9120



 <p>General Motors</p>	<p>Year: 1997-2001 Model: Topkick, Kodiak</p>	<p>Core Size: 31-7/16 x 25-1/2 x 1-3/8"</p>
	<p>INLET: Header: 3 x 26-3/4" Connection: 2"</p>	<p>OUTLET: Header: 3 x 26-3/4" Connection: 2-1/4"</p>
	<p>Trans. Oil Cooler: 18" (6-Plate) w/ 1-1/16" Fittings Eng. Oil Cooler: NONE</p>	
	<p>OEM#: 20814/ 52469620/ RA1089</p>	