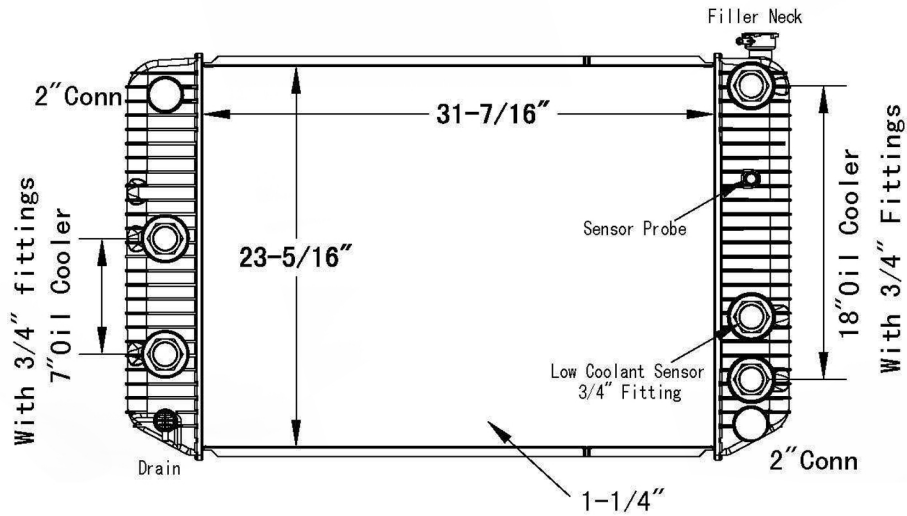





PART# HD9121



 <p>General Motors</p>	<p>Year: 1990-1993 Model: Topkick, Kodiak</p>	<p>Core Size: 31-7/16 x 23-5/16 x 1-1/4"</p>
	<p>INLET: Header: 3 x 24-3/4" Connection: 2"</p>	<p>OUTLET: Header: 3 x 24-3/4" Connection: 2"</p>
	<p>Trans. Oil Cooler: 18" (6-Plate) w/ 3/4" Fittings Eng. Oil Cooler: 7" (6-Plate) w/ 3/4" Fittings</p>	
	<p>OEM#: 20612/ 20751/ 52457675/ RA1056</p>	