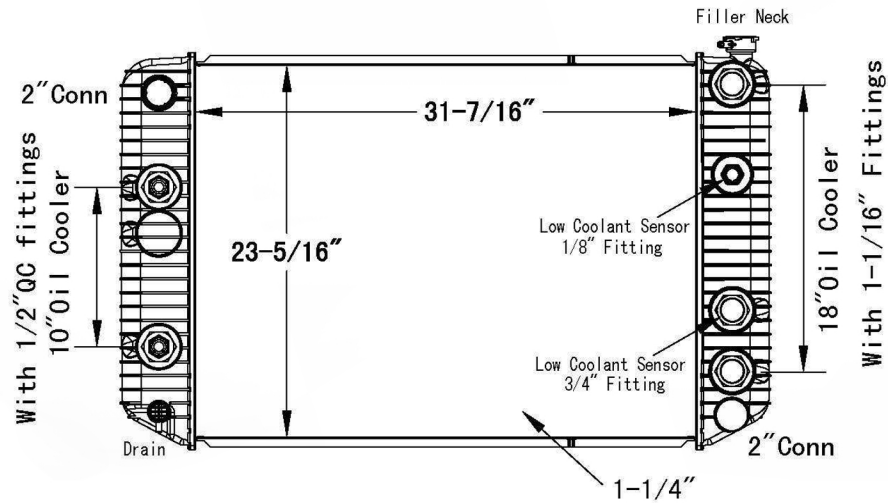





PART# HD9122



 <p>General Motors</p>	<p>Year: 1998-2001 Model: Topkick, Kodiak</p>	<p>Core Size: 31-7/16 x 23-5/16 x 1-1/4"</p>
	<p>INLET: Header: 3 x 24-3/4" Connection: 2"</p>	<p>OUTLET: Header: 3 x 24-3/4" Connection: 2"</p>
	<p>Trans. Oil Cooler: 18" (6-Plate) w/ 1-1/16" Fittings Eng. Oil Cooler: 10" (6-Plate) w/ Q.C. Fittings</p>	
	<p>OEM#: 21447/ 52477165/ 52487493/ RA1207</p>	