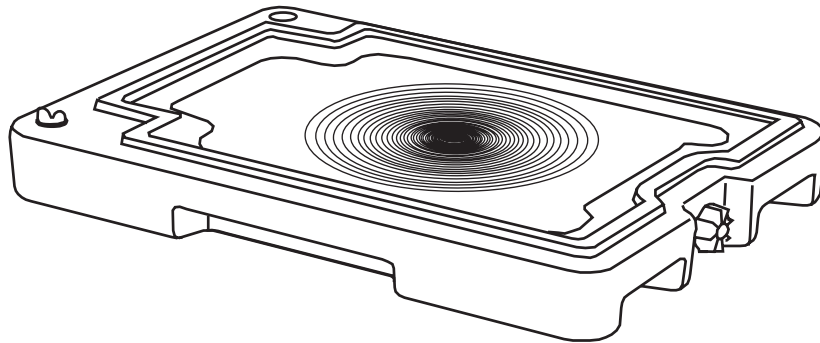


Transfer Tanker

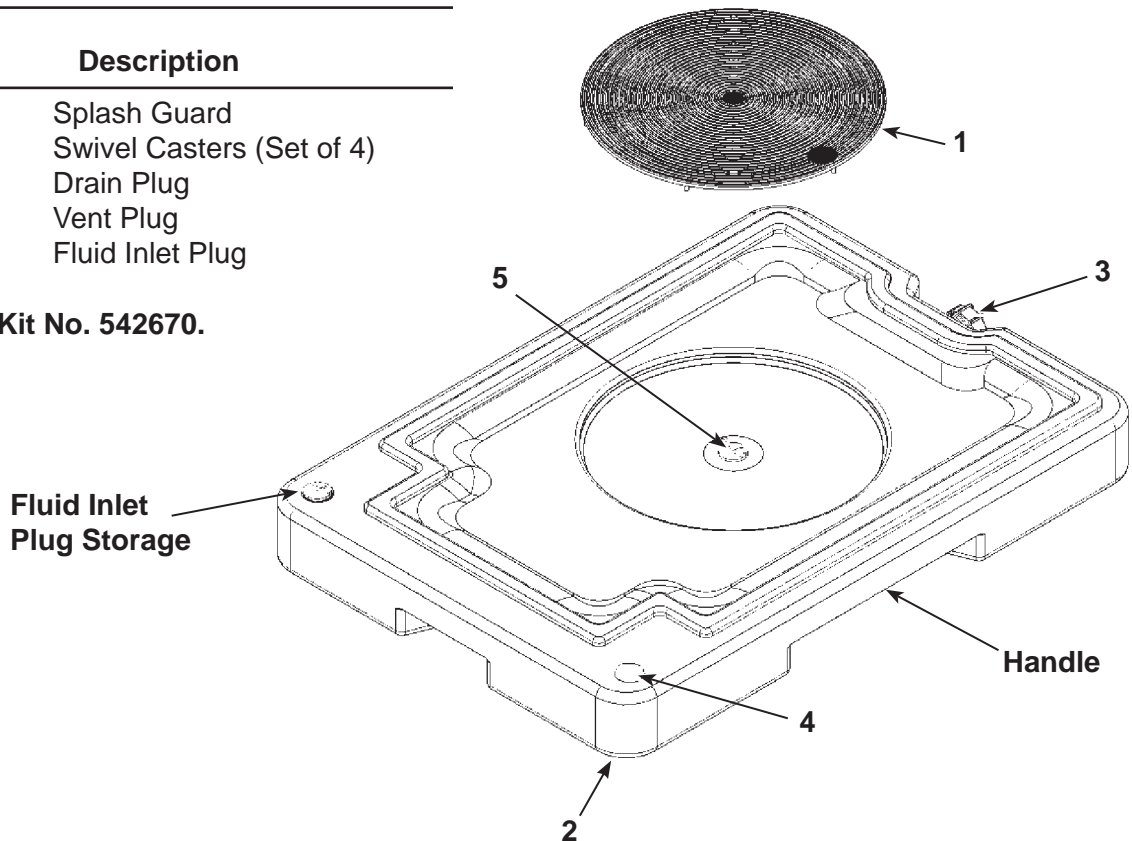
Max. Capacity: 30 liters (8 gallons)



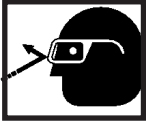
PARTS LIST

Item No.	Part No.	Description
1	542669	Splash Guard
2	542671	Swivel Casters (Set of 4)
*3	---	Drain Plug
*4	---	Vent Plug
*5	---	Fluid Inlet Plug

*Sold as Plug Kit No. 542670.



SAFETY PRECAUTIONS



⚠ CAUTION: To prevent personal injury,

- Wear eye protection that meets ANSI Z87.1 and OSHA standards.
- Lift with your legs keeping your back straight, and avoid twisting by moving your feet and not your waist. Get help when lifting heavy loads.



OPERATING INSTRUCTIONS

1. Lift the splash screen off the tank to expose the fluid inlet plug.
2. Remove the fluid inlet plug, and place it on the tank storage spot for safekeeping.
3. Replace the splash screen over the open fluid inlet hole.
4. Roll the tanker into position, and release the fluid into the tanker.
5. When finished, replace the fluid inlet plug, and roll the tanker to a waste fluid collection area.
6. Open the vent plug.
7. Have someone help when lifting the transfer tanker to empty its contents.
8. Open the drain plug to pour out the waste fluid.
9. Dispose of waste fluids according to local, state, and federal laws.

