

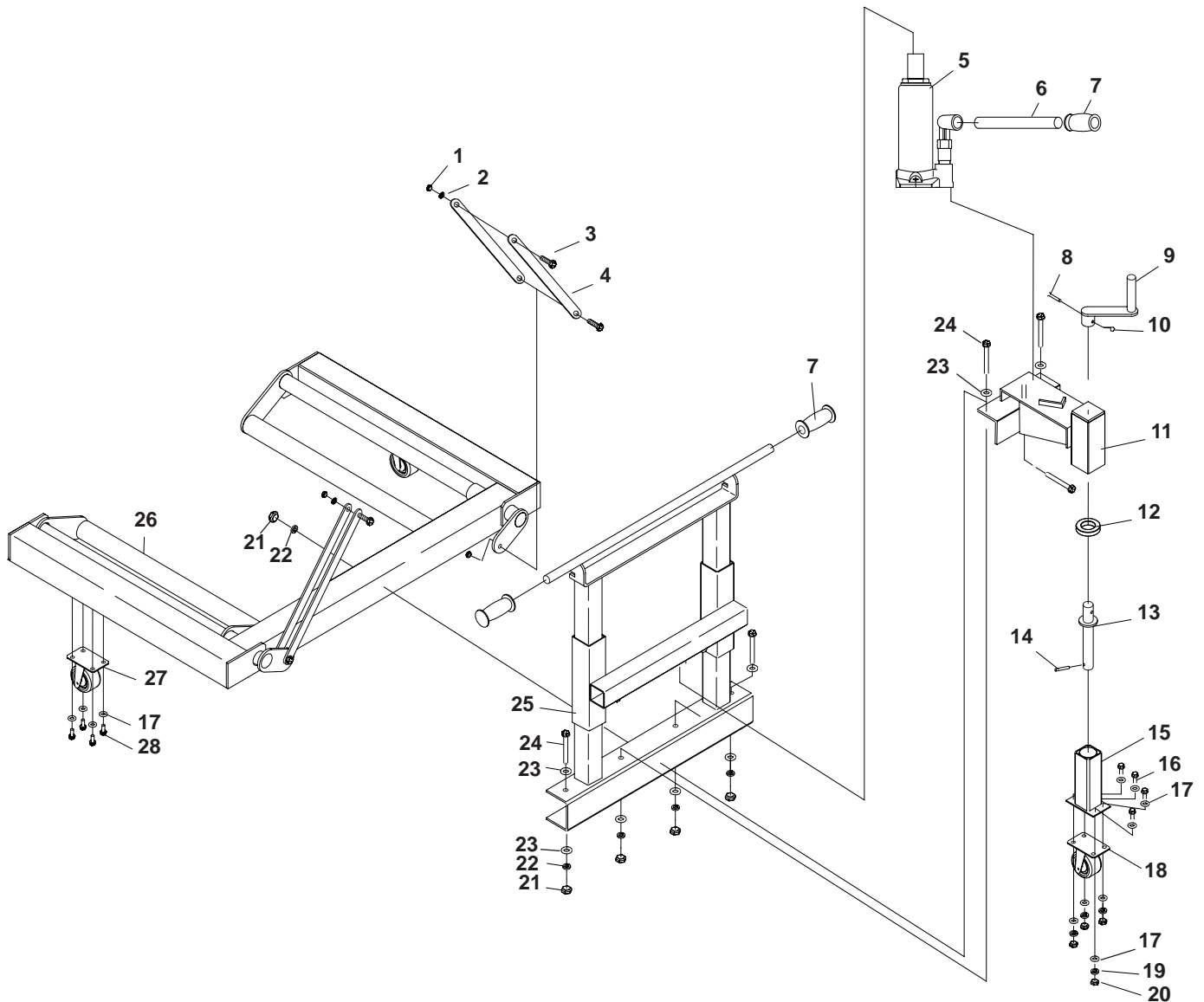
Parts List and  
Operating Instructions  
for:

1769A

## Dual Wheel Dolly

Max. Capacity: 1,500 lbs. (681 kg)

The dual wheel dolly is a lifting device characterized by a pair of laterally spaced lifting members, which are used to raise, remove, transport, and replace automotive wheel and tire assemblies.



# Parts List & Operating Instructions

## Parts List

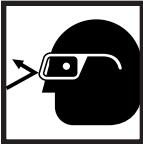
Item No.	Quantity	Description
1	4	Nut
2	4	Flat Washer
3	4	Bolt
4	4	Straps
5	1	Jack
6	1	Jack Handle
7	3	Handle Sleeve
8	1	Pin
9	1	Crank Handle
10	1	Cotter Pin
11	1	Crank Assembly
12	1	Bearing
13	1	Screw Rod
14	1	Pin
15	1	Screw Rod Outer Tube
16	4	Screw
17	16	Washer
18	1	Rear Caster
19	4	Lock Washer
20	4	Nut, 8 mm
21	5	Nut, 12 mm
22	5	Lock Washer
23	10	Flat Washer
24	5	Bolt, 12 mm x 110
25	1	Vertical Weldment
26	1	Horizontal Weldment
27	2	Front Caster
28	8	Screw, 8 mm x 18
29	1	Chain (Not shown)

## Replacement Kits

Item No.	Qty.	Description	Item No.	Qty.	Description
<b>Caster, Rear/Crank Assembly No. 532849:</b>			<b>Hardware Kit No. 532850:</b>		
8	1	Pin	1	4	Nut
9	1	Crank Handle	2	4	Flat Washer
10	1	Cotter Pin	3	4	Bolt
11	1	Crank Assembly	4	4	Straps
12	1	Bearing	7	3	Handle Sleeve
13	1	Screw Rod	8	1	Pin
14	1	Pin	10	1	Cotter Pin
15	1	Screw Rod Outer Tube	12	1	Bearing
16	4	Screw	14	1	Pin
17	8	Washer	16	4	Screw
18	1	Rear Caster	17	16	Washer
19	4	Lock Washer	19	4	Lock Washer
20	4	Nut, 8 mm	20	4	Nut, 8 mm
<b>Caster, Front No. 532848:</b>			21	5	Nut, 12 mm
17	4	Washer	22	5	Lock Washer
27	1	Front Caster	23	10	Flat Washer
28	4	Screw, 8 mm x 18	24	5	Bolt, 12 mm x 110
<b>Chain No. 212905:</b>			28	8	Screw, 8 mm x 18
29	1	Chain	<b>Hydraulic Jack No. 532847:</b>		
<b>Handle Kit No. 532846:</b>			5	1	Jack
6	1	Jack Handle			
7	1	Handle Sleeve			

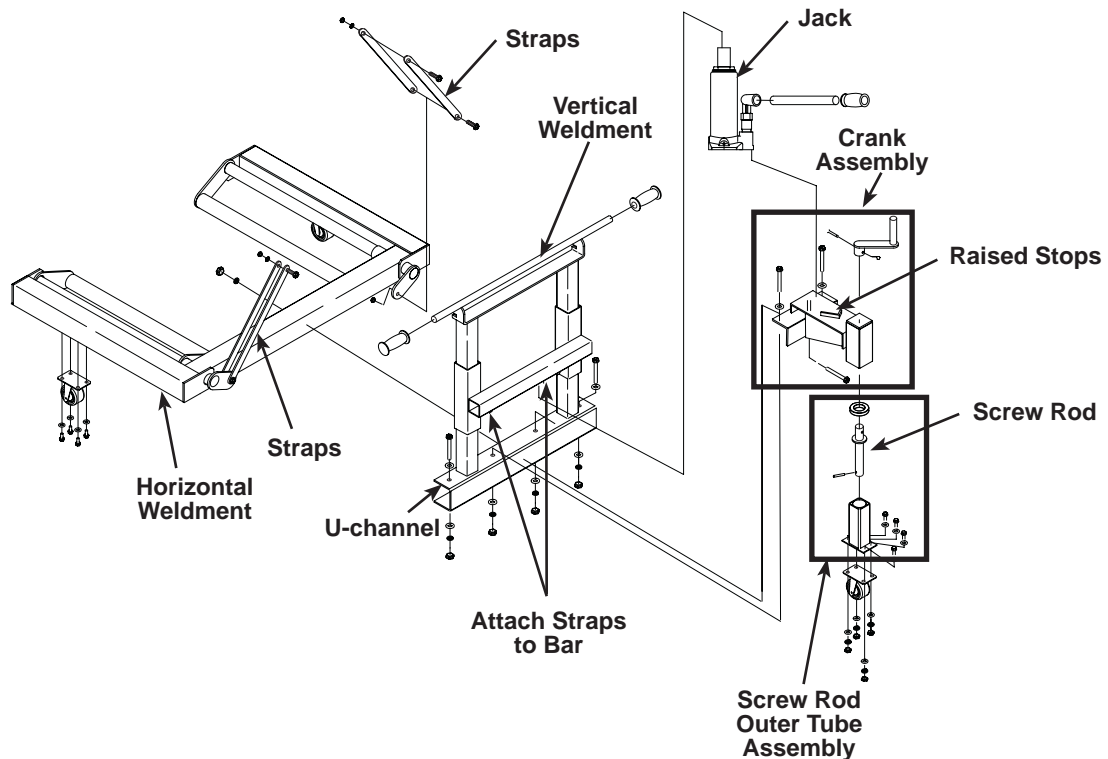
## Safety Precautions

- WARNING:** To prevent personal injury and/or equipment damage,
- Study, understand, and follow all instructions before operating this device. If the operator cannot read or understand these instructions, the operating instructions and safety precautions must be read and discussed in the operator's native language.
  - Wear eye protection that meets OSHA and ANSI Z87.1 standards.
  - Inspect the dolly before each use; do not use the dolly if it is damaged, altered, or in poor condition.
  - No alterations can be made to this product.
  - Only attachments and/or adapters supplied by the manufacturer shall be used.
  - Do not exceed rated capacity.
  - Use only on a hard, level surface.
  - Lifting device only. Immediately after lifting, support the load with appropriate means.
  - Before moving the load: center the load on the dolly; secure the load with the restraint chain; and lower the dolly completely.
  - The use of this wheel dolly is limited to the removal, transportation, and installation of wheel assemblies. Do not lift or support vehicles with this wheel dolly.
  - Stay clear of a lifted load.
  - The owner of the dolly is responsible for ensuring that procedures are followed according to federal, state, and local safety regulations.
- This guide cannot cover every situation, so always do the job with safety first.



## Assembly

*Item numbers refer to the parts list illustration.*



1. Attach the two front casters (27) to the horizontal weldment using four 8 mm x 18 screws (28) and washers (17) for each caster.
2. Attach the rear caster (18) to the screw rod outer tube assembly (15) by placing four washers (17) on the top of the assembly plate; thread a bolt (16) through each washer, and then through the assembly and caster plates; hold each bolt in place with a flat washer (17), a lock washer (19), and an 8 mm nut (20).
3. Place the crank assembly (11) over the screw rod outer tube assembly. Insert a pin (8) through the crank handle (9) and the screw rod (13); hold the pin in place with a cotter pin (10).
4. Slide the horizontal weldment (26) into the vertical weldment (25) u-channel. Bolt the weldments together using two 12 mm x 110 bolts (24) and two flat washers (23) on the top of the u-channel, and two flat washers (23), two lock washers (22), and two 12 mm nuts (21) on the bottom.
5. Attach the crank assembly to the top of the u-channel using two 12 mm x 110 bolts (24) and two flat washers (23) on the top of the crank assembly and two flat washers (23), two lock washers (22), and two 12 mm nuts (21) on the bottom of the u-channel.
6. Secure the crank assembly to the vertical and horizontal weldments with another 12 mm x 110 bolt (24) passing through the bottom of the crank assembly, through the side of the u-channel, and into the horizontal weldment; hold bolt in place with two flat washers (23), a lock washer (22), and a 12 mm nut (21). See illustration above.
7. Attach straps (4) to the horizontal weldment and then the vertical weldment using two bolts (3), two flat washers (2), and two nuts (1), on each pair of straps. See illustration above.
8. Place the jack between the raised stops on the crank assembly.
9. Attach the jack handle (6) to the jack.
10. Place handle sleeves (7) on the jack handle and on each end of the vertical weldment bar.

## Parts List & Operating Instructions

### Operation

#### Removing Wheel(s)

1. Raise the vehicle so the wheel(s) needed to be removed is clear of the ground. Keep the axle(s) horizontal to make it easier to slide the wheel(s) on and off.
2. Place jack stands under the vehicle, and block the vehicle.
3. Lower the dolly's lifting arms by turning the valve on the hydraulic jack counterclockwise. Position the dolly under the wheel(s).
4. Raise the lifting arms by closing the valve (turn clockwise) and pumping the jack handle until the arms are supporting the weight of the wheel(s).
5. Loop the chain around the wheel(s), and snug the chain before fastening it to the connecting points.
6. Carefully slide the wheel(s) off the axle by pulling the dolly away from the vehicle. Avoid damaging the bearing and seals.

#### Replacing Wheel(s)

1. Load the wheel(s) onto the dolly, and securely loop the chain around the wheel(s).
2. Align the dolly with the axle.
3. Carefully slide the wheel(s) onto the axle by pushing the dolly toward the vehicle. *Note: To align the wheel(s) with the mounting studs, rotate one of the lifting arm rollers, which will rotate the wheel.*
4. Remove the chain.

### Maintenance

**CAUTION: The greatest single cause of failure in hydraulic units is dirt.** Keep the service jack clean and well lubricated to prevent foreign matter from entering the system. If the jack has been exposed to rain, snow, sand, or grit, it must be cleaned before it is used.

- Completely retract the jack's cylinder before adding or replacing oil. If it's necessary to add oil, remove the filler plug, and fill the reservoir with Chevron AW Hydraulic Oil MV or equivalent. Do NOT use brake fluid, alcohol, glycerine, detergent, motor oil, or dirty oil, because these fluids can damage the internal seals of the jack and its cylinder. Do not mix types of oil.
- Grease the wheels and pivot points on a regular maintenance schedule.
- If the lifting action of the hydraulic system feels "spongy," bleed air out of the system by completely opening the release valve (CCW), while holding down the end of the jack cylinder. Rapidly operate the pump handle several times.