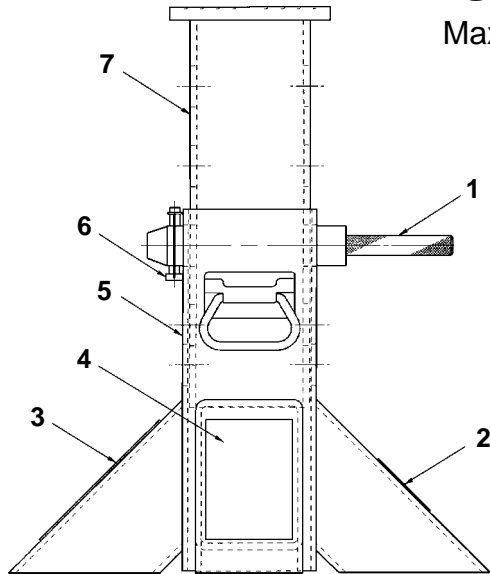


**Parts List &
Operating Instructions
for:**

1783
D01182AA

Support Stand

Maximum Capacity: 20 Tons



Parts List

Item No.	Part No.	No. Req'd	Description
1	44062	1	Support Pin
2	216703	1	Made in USA Decal
3	206321	1	Caution Decal
4	313529	1	Decal
5	60794	1	Support Stand Base
6	217917	1	Locking Pin
7	44051	1	Inner Tube

Shaded areas reflect the most recent revisions to this document.

Safety Precautions



Caution: To prevent personal injury and / or property damage,



- Read, understand, and follow the operating instructions.
- Wear eye protection that meets the requirements of ANSI Z87.1 and OSHA.
- Do not exceed the capacity rating shown on each support stand.



- Inspect the support stand for damage before each use.
- Position the support stand on a smooth, level surface. Soft or irregular surfaces may not provide adequate support, and the stand may tip.



- Always use the support pin and the locking pin. Insert the support pin through the extension and base; insert and lock the locking pin through the support pin.
- Support the load with the center of the support stand pad; do not support a load on the edge of the support stand pad.

- The load and the support stand(s) must be stable before beginning any repairs underneath the load.
- Use as a matched pair to support one end of a vehicle only.

Operating Instructions

(Item numbers refer to the parts list.)

1. Plan the location of the support stand(s) on a smooth, hard, and level surface to keep the load balanced.
2. Raise the support stand extension tube (Item #7) up to the load.
3. Position the support stand under the load so the weight is exerted on the center of the support stand pad.
4. Insert the support pin (#1) completely through both walls of the extension tube, and lock in place using the locking pin (#6). **Important: Always check the placement of the support pin before lowering a load onto a support stand.**
5. If the load is a vehicle, block the wheels to prevent movement.



Caution: To prevent personal injury, the load and support stand(s) **MUST** be stable before any work begins underneath the load.