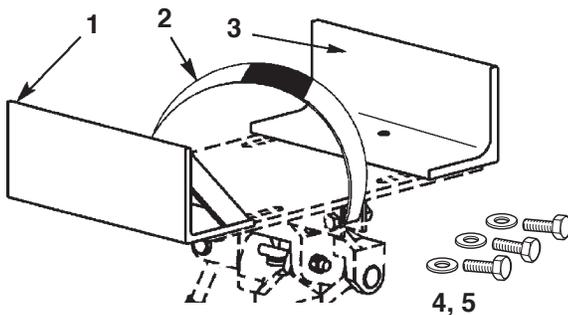


## Allison Transmission Adapter

Application: Allison 500 and 600 Series Transmissions



Item No.	Part No.	Qty.	Description
1	314733	1	Front Support Bracket
2	306422	1	Strap Assembly
3	314730	1	Back Support Bracket
4	12004	3	Washer (for 1/2" bolt)
5	10079	3	Hex Hd. Cap Screw

### Assembly Instructions

(Item numbers refer to the parts list.)

1. Use fasteners (Item Nos. 4 & 5) to loosely assemble the transmission support brackets (Nos. 1 & 2) to the mounting plate.
2. Adjust the brackets to fit the transmission pan when the load is centered on the jack.
3. Tighten the fasteners assembled in Step 1.
4. Secure the strap assembly (No. 2) around the component. Attach the hooks on the end of the strap to the angled slots provided on the support bracket (No. 1), or other suitable location on the platform.

### Safety Precautions



**Caution:** To help prevent personal injury and damage to equipment,

- Read, understand, and follow all safety precautions and operating instructions.
- Wear eye protection that meets the requirements of ANSI Z87.1 and OSHA.
- Do not modify the transmission adapters unless approved or supplied by OTC.
- Do not exceed the maximum capacity of the jack used with the adapters.

This guide cannot cover every situation, so always do the job with safety first.

