

**Parts List &
Operating Instructions**
for:

49611

Auxiliary Housing Adapter

Application: Eaton® Roadranger® Transmissions

Max. Capacity: 300 Lbs.

Parts List

Item No.	Part No.	No. Req'd	Description
1	12682	6	Retaining Ring
2	220784	3	Spacer
3	10231	3	Washer
4	221746	3	Bolt (3/8-16 x 2" lg.)
5	213886	3	Bolt (M10 x 1.5 x 50 mm)
	49611	1	Adapter (includes Items 1-4)

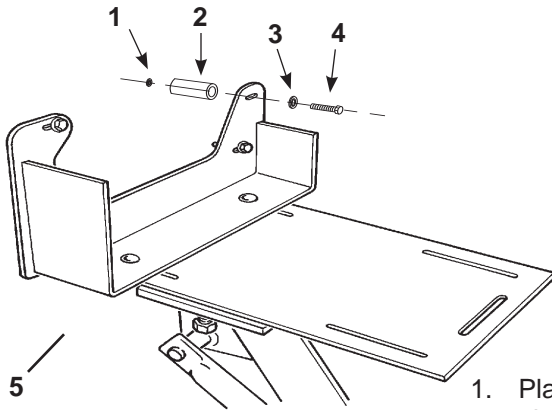


Figure 1

Assembly Instructions

1. Place the auxiliary housing adapter (No. 49611) on top of the jack's mounting plate as shown in Figure 1 or 2. (Figure 2 shows the adapter attached to OTC No. 220492 transmission adapter plate.) Secure the adapter with the bolts that were supplied with the jack.
2. Attach the three adapter bolts to the countershaft bearing caps on the auxiliary housing as shown in Figure 3.

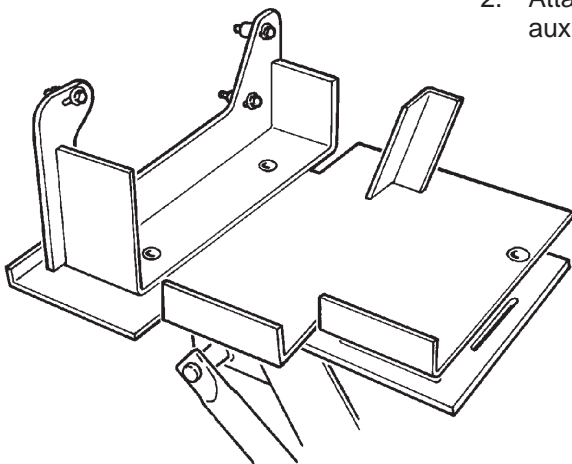


Figure 2

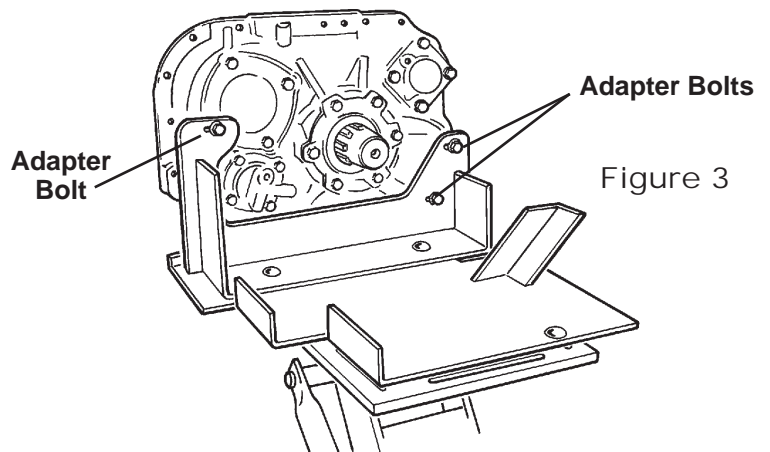


Figure 3

Safety Precautions



WARNING: Failure to follow these warnings could cause a loss of load, damage to equipment, and / or failure of equipment, which could result in personal injury or property damage.

- Wear protective eyewear that meets the requirements of ANSI Z87.1 and OSHA.
- Do not modify this housing adapter or use attachments unless supplied by OTC. If a modification is needed, please contact OTC Technical Services.
- This auxiliary housing adapter is designed to remove or install Eaton Roadranger truck auxiliary housings only. Using the adapter in a manner for which it is not designed may result in injury or damage to equipment.
- The load must not exceed the maximum rated capacity of 300 pounds.
- Stay out from underneath the load at all times.
- Secure the load to the jack.