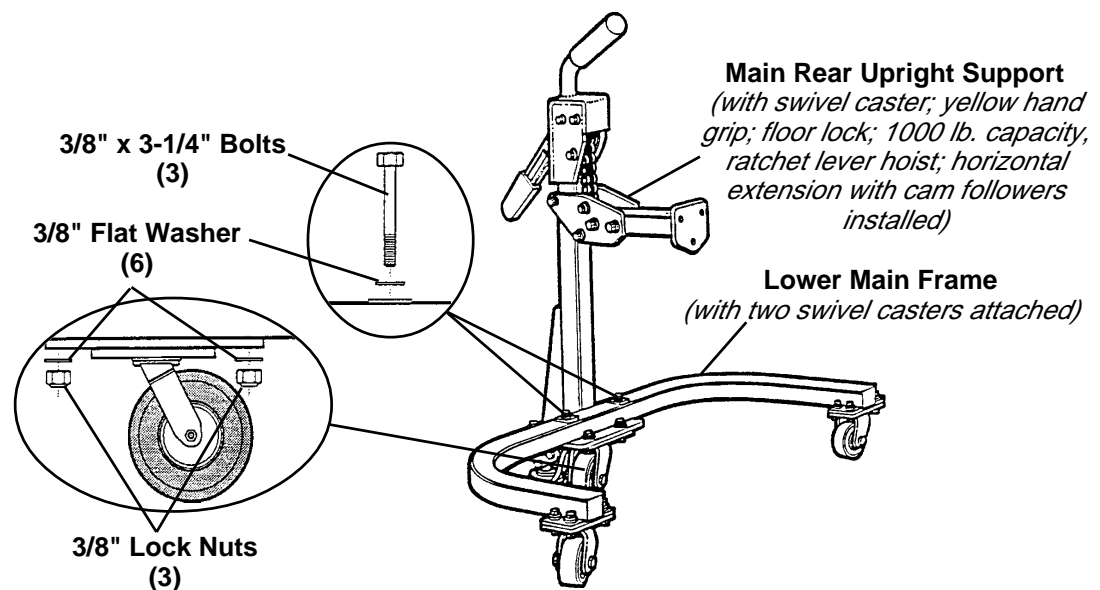


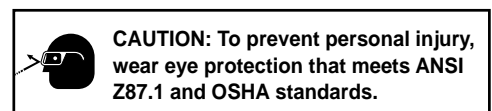
## Wheel Mate™ Assembly Instructions

Use the following steps to assemble the Wheel Mate:

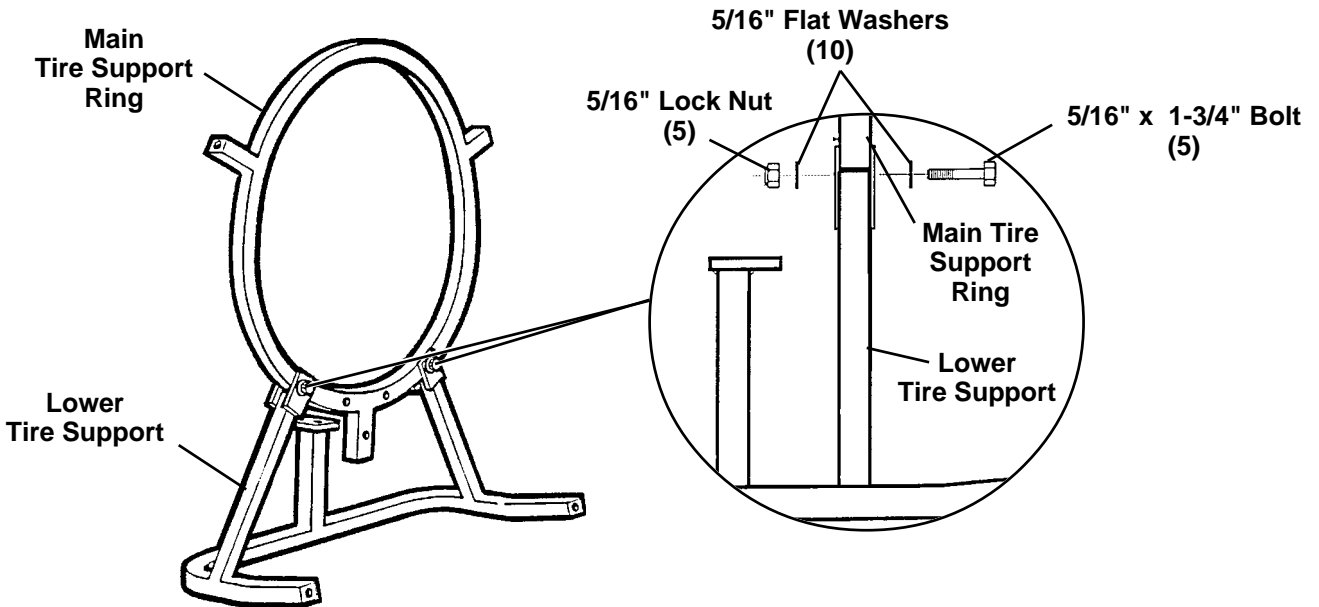
1. Connect the lower main frame to the main rear upright support using two 3/8" x 3-1/4" bolts, four 3/8" flat washers, and two 3/8" lock nuts.



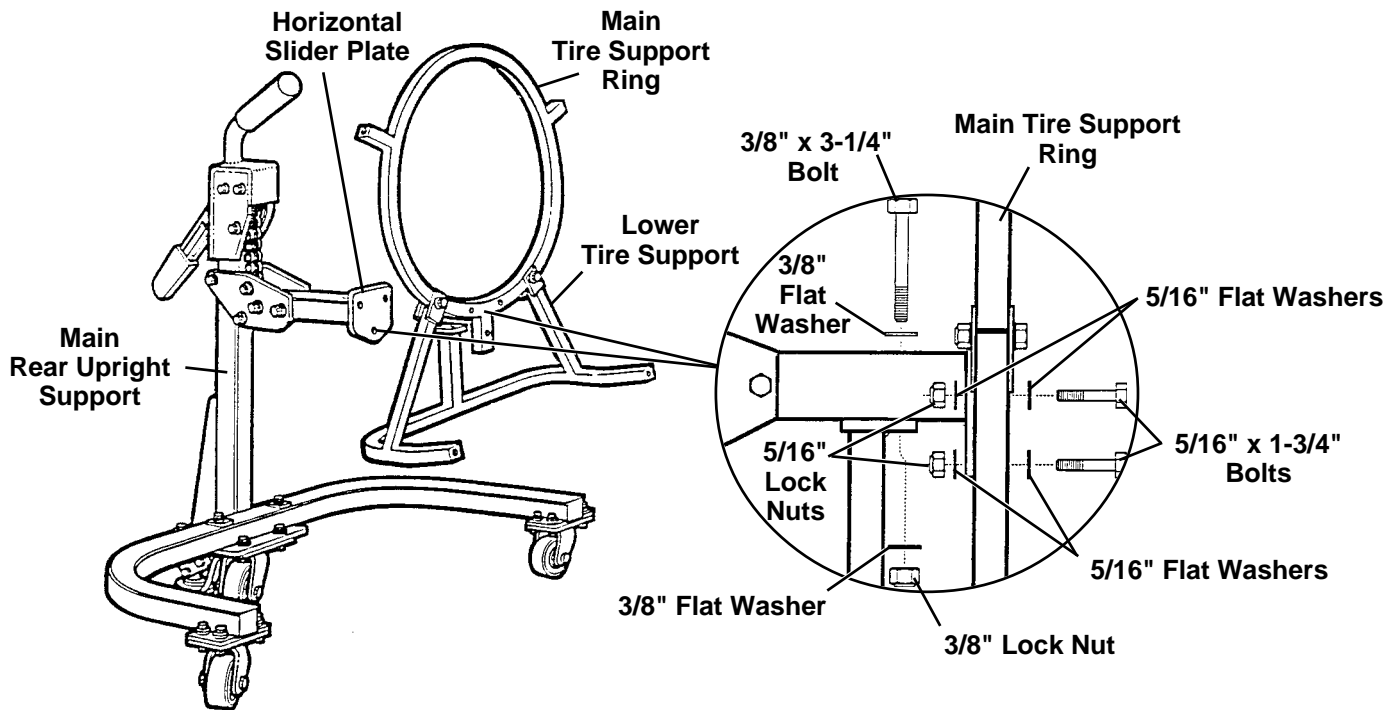
*Note: The number of parts included in the Wheel Mate assembly kit are identified in parenthesis on the illustrations. Parts not identified with a number are single units.*



2. Connect the main tire support ring to the lower tire support using two 5/16" x 1-3/4" bolts, four 5/16" flat washers, and two 5/16" lock nuts.

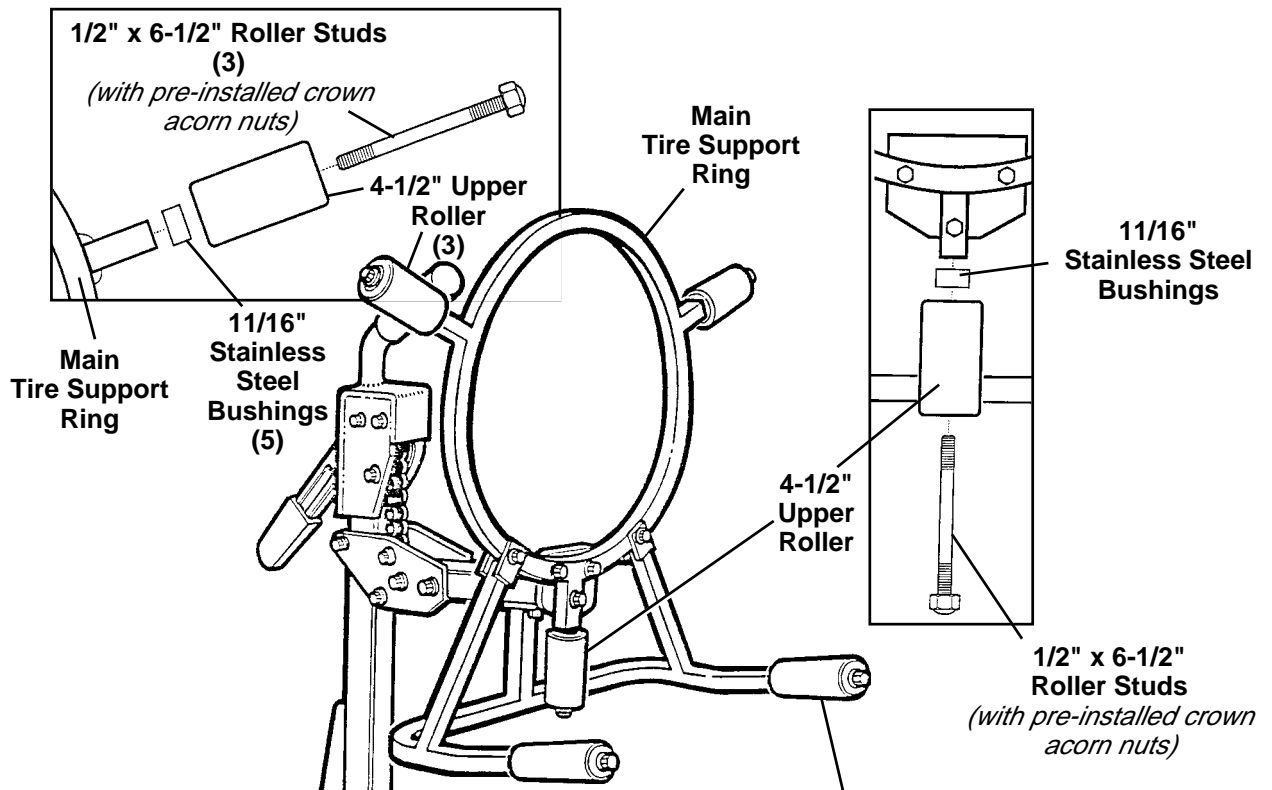


3. Connect the main tire support ring / lower tire support assembly to the horizontal slider plate using three 5/16" x 1-3/4" bolts, six 5/16" flat washers, and four 5/16" lock nuts.

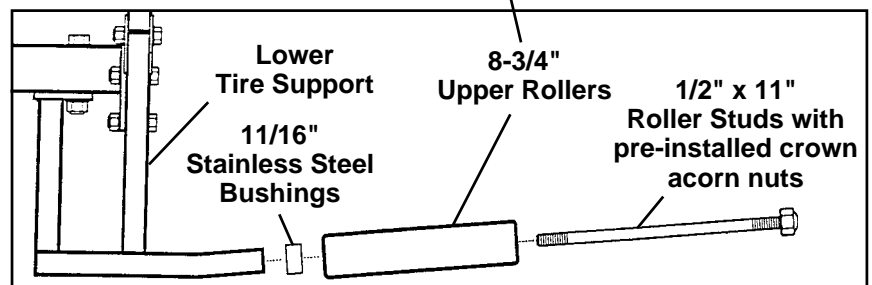


4. Secure the main tire support ring / lower tire support assembly to the horizontal slider plate using a 3/8" x 3-1/4" bolt, two 3/8" flat washers, and a 3/8" lock nut.

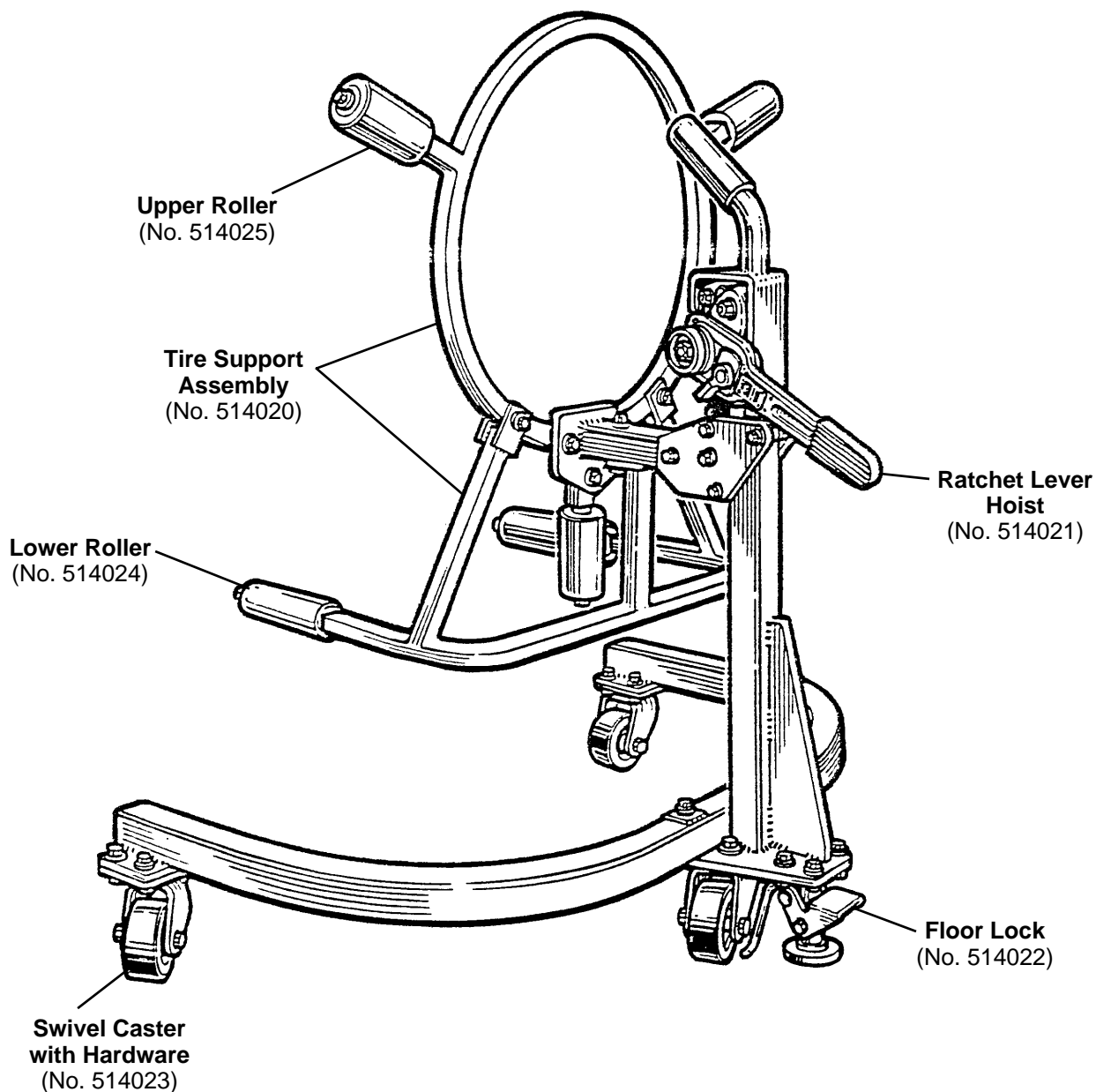
- Install three 4-1/2" upper rollers to the main tire support ring using three 1/2" x 6-1/2" roller studs with pre-installed crown acorn nuts, and three 11/16" stainless steel bushings. Do not overtighten studs; roller will not spin freely if studs are too tight.



- Install two 8-3/4" upper rollers to the lower tire support using two 1/2" x 11" roller studs with pre-installed crown acorn nuts and three 11/16" stainless steel bushings. Do not overtighten studs; roller will not spin freely if studs are too tight.



Assembled Unit and Repair Parts:



Replacement Parts

Item No.	Description
514020	Tire Support Assembly
514021	Ratchet Lever Hoist
514022	Floor Lock
514023	Swivel Casters
514024	1.9" O.D. x 8.75" Lower Roller
514025	2.375" O.D. x 4.5" Upper Roller