

Mounting Plate Application Chart

(used with OTC #1750A Diesel Engine Repair Stand)

Mounting Plate No.	Used On
61373	Allison HT-700 Series (includes HT-750 CLBT, HT-740D, HT-750 CR/DP, and HT-740 CT)

Installation Instructions



CAUTION: To prevent personal injury,

- Wear eye protection that meets ANSI Z87.1 and OSHA requirements.
- All mounting screws and bolts **MUST** be tight before starting work on the engine.
- Use only SAE Grade 8 (or Metric Grade 10.9) cap screws to mount the plate to the transmission and to the engine repair stand.

1. Bolt the mounting plate to the transmission as shown in Figure 1.
2. Find the transmission's center of balance (or greatest concentration of weight). See Figure 2.
3. Position the transmission, with the mounting plate attached, up to the engine mounting adapter. Holes are provided in the plate for lifting the transmission, depending on the model.
4. Raise or lower the transmission until its center of balance is in line with the engine stand's rotating shaft as shown.
5. Use the cap screws provided to secure the engine mounting adapter to the transmission mounting plate.

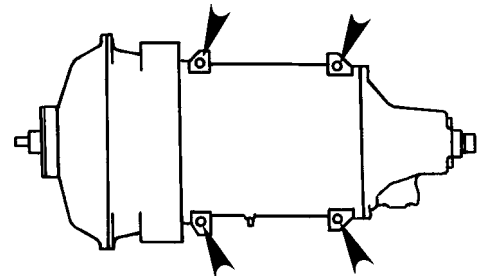


Figure 1

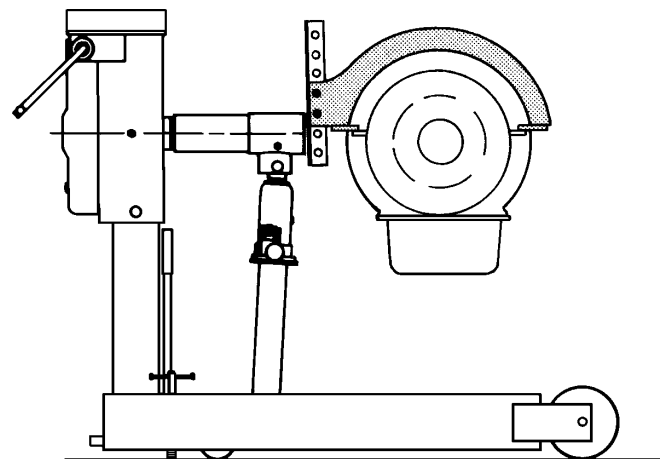


Figure 2

Fasteners:

Item	Description	Qty.	Part #
Cap Screws	5/8-11 x 2" Lg.	4	17964
Washers	5/8 Bolt Size	4	10235
Nuts	5/8-11	4	12306