

**Parts List &
Operating Instructions
for:**

61405

Cummins
Mounting Plate Application Chart
(for OTC No. 1750A Diesel Engine Repair Stand)

This Cummins Diesel Mounting Plate (No. 61405) is designed to service the Cummins L10 Diesel Engine.

Fastener Hardware: The items listed below are required for the mounting plate application.

ITEM	DESCRIPTION	QUANTITY	PART NO.
CAP SCREWS	M10 × 1.5 6g × 30 mm Lg.	8	15284
WASHERS	3/8" Bolt Size	8	10258

NOTE: Use only Grade 8 Cap Screws when mounting plate to the engine and repair stand.

IMPORTANT MOUNTING INFORMATION:

After bolting the side plates to the engine as shown in this application chart, use the following procedure for mounting the engine to the engine stand.

1. Determine where the engine's greatest concentration of weight (center of balance) is located (Usually about 2 inches above the center of the crankshaft). See Figure 1.
2. Attach the side plates to the engine mounting adapter plate. Leave the cap screws and nuts loose to aid bolt hole alignment when mounting to the universal mounting adapter plate.
3. Position the engine (with plates attached) up to the universal mounting adapter plate. Raise or lower the engine until its center of balance is approximately in-line with the rotating shaft of the engine stand. Align the closest tapped holes in the universal mounting adapter plate with the holes in the side plates. Securely tighten the side plates to the engine mounting plate and to the universal mounting adapter plate on the engine stand.

⚠ WARNING: Check all mounting screws and bolts to insure that they have been adequately tightened.

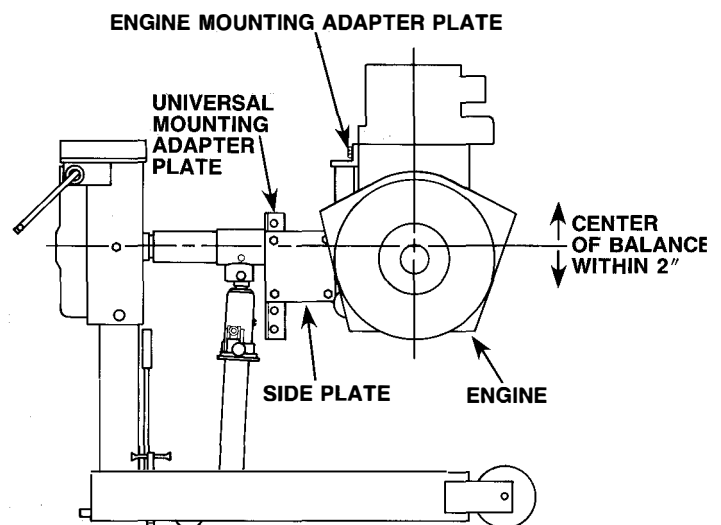
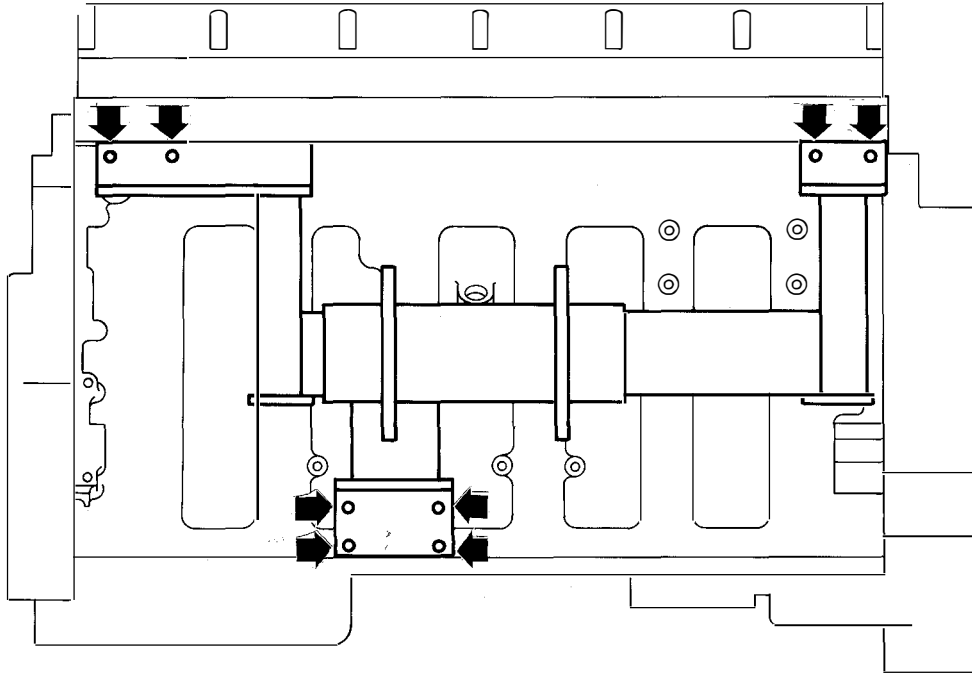


FIG. 1

Parts List & Operating Instructions

CUMMINS L10 DIESEL ENGINE Left Side of Block



- ▶ (8) M10 × 1.5 6g Cap Screw, Grade 8
- (8) 3/8" Washer