

No. 6293 Chrysler Distributor Bushing Installer

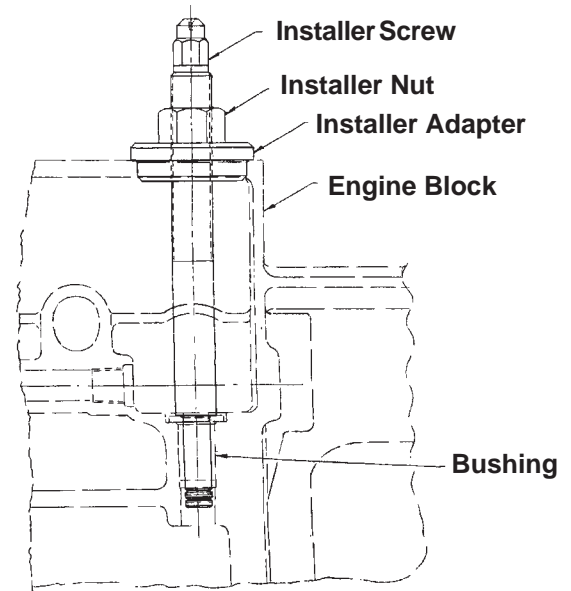
Use the following steps to install a bushing into an engine block using the No. 6293 distributor bushing installer.

1. Slide the new bushing over the burnishing end of the installer. See Figure 1.

Note: It is normal for the bushing to fit tightly on the burnishing end of the installer.

2. Insert the installer and bushing into the distributor hole in the engine block. Drive the bushing into position by tapping on the installer with a hammer. See Figure 2.
3. Slide the installer adapter into the distributor hole in the engine block, and hand tighten the installer nut to the installer adapter.
4. Hold the installer screw with a 3/8" wrench and tighten the installer nut with a 7/8" wrench. This pushes the burnishing end through the bushing to expand the bushing tight in the block and burnish the bushing to the correct size. See Figure 3.

Note: The bushing does **not** need to be reamed.



Engineering View

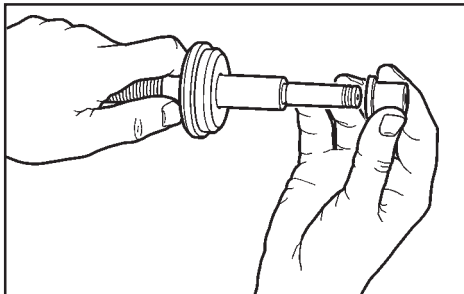


Figure 1

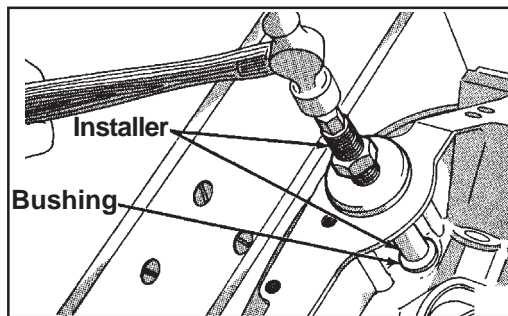


Figure 2

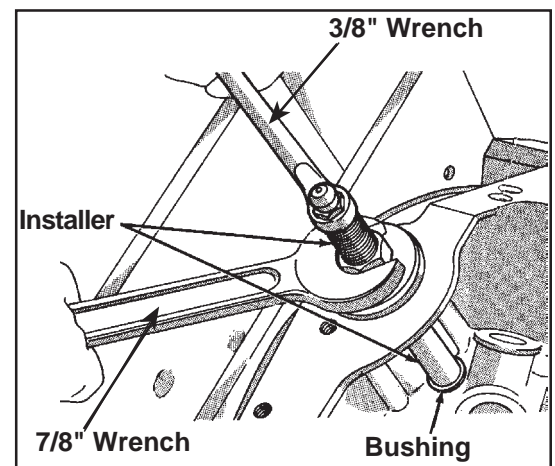
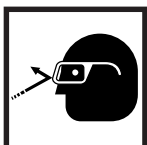


Figure 3



WARNING: Wear eye protection that meets ANSI Z87.1 and OSHA standards.