

Mirror Removal Tool

Form No. 529203

Operating Instructions
for:

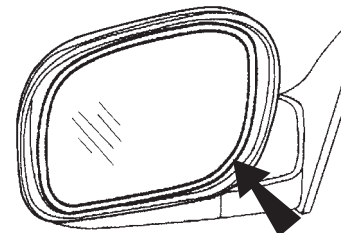
8200A



CAUTION: To prevent personal injury, wear ANSI-compliant eye protection and gloves when using this tool.

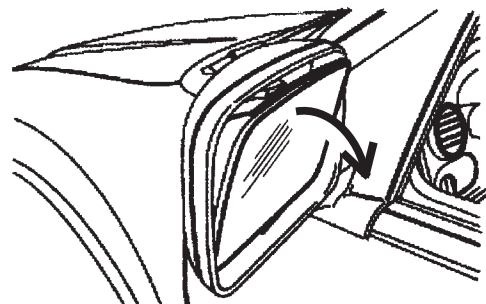
Application: **All Ford vehicles with manual side mirrors**

1. Tip mirror glass inboard, and use the Mirror Removal Tool to pry the outside lower glass edge from the motor assembly.
2. Disconnect heater wires from the glass, if so equipped.



Application: **All Ford vehicles with power side mirrors**

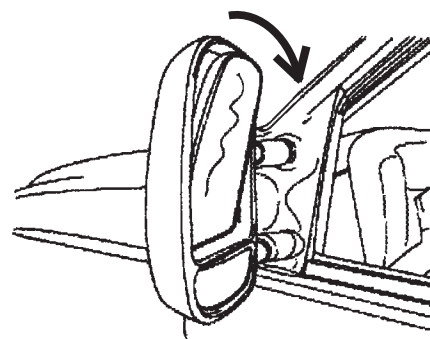
1. Tip the mirror glass assembly as shown to expose the glass-to-motor-assembly locking tabs. Use the Mirror Removal Tool to unlock the tabs. Pull the glass assembly from the motor assembly.
2. Disconnect heater wires from the glass, if so equipped.



Application: **All Ford vehicles with towing side mirrors**

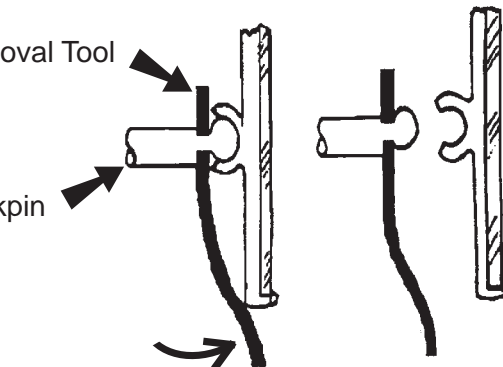
1. Tip the mirror glass assembly as shown to expose the jackpins that connect the glass assembly. Use the Mirror Removal Tool to disconnect the jackpins.
2. Pull the glass assembly rearward, disconnecting the glass assembly socket from the motor assembly ball.
3. Disconnect heater wires from the glass, if so equipped.

Note: When reassembling the glass, align the two jackpin ball keys to the mirror assembly slots.



Mirror Removal Tool

Jackpin



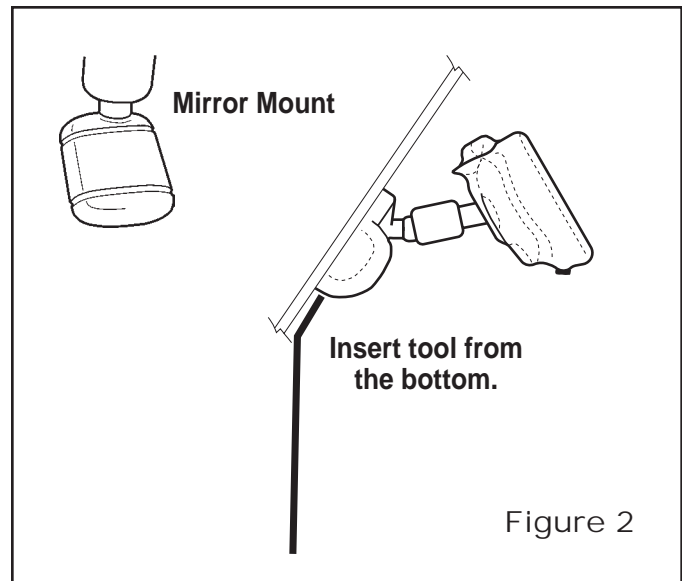
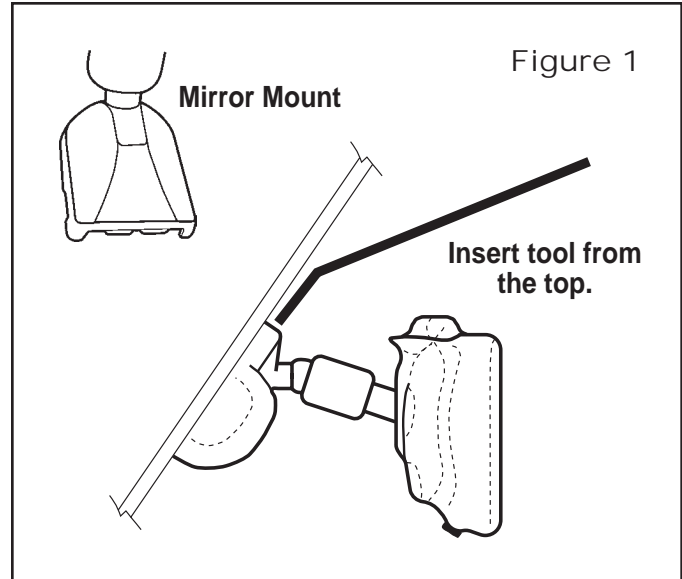
Operating Instructions

Application: **All Ford vehicle rear view mirrors**

Refer to the appropriate vehicle service manual for more detailed instructions.

Removal

1. Remove the wire cover (if so equipped).
2. Unplug the connector (if so equipped).
3. Remove the compass (if so equipped).
4. Refer to Figures 1 and 2, and determine which type of mirror mount is on the vehicle.
5. Insert the Mirror Removal Tool between the mirror mount and windshield bracket, from the top or bottom depending on the type of mirror mount.
6. Pry the mirror mount from the windshield bracket by pulling the tool away from the windshield.



Installation

1. Slide the mirror mount over the windshield bracket from the top, and roll the mirror to the UP position.
2. Quickly press the mirror assembly downward along the windshield until the mirror mount is seated on the windshield bracket. See Figure 3. (Depending on the type of mirror mount, you may hear a “click” as the mount is seated into place on the windshield bracket.)
3. Reinstall the compass, electrical connector, and cover (if so equipped).

