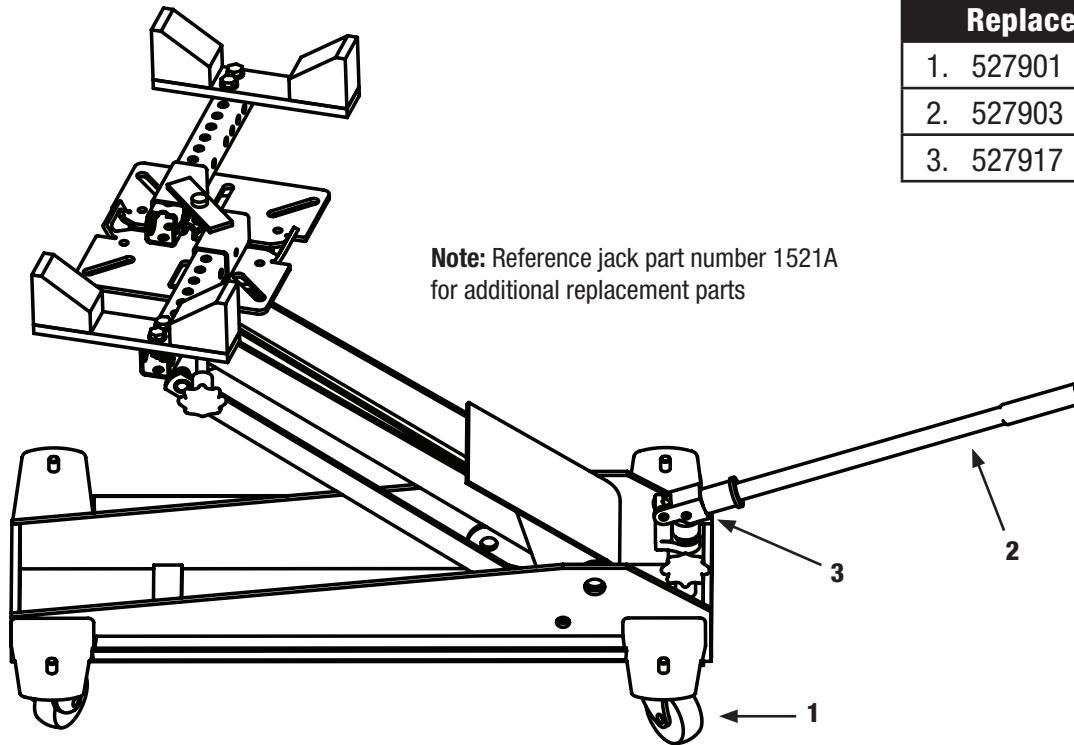


J-47399 HORIZONTAL DPF HANDLER

Maximum Capacity: 300 lbs.



Note: Reference jack part number 1521A for additional replacement parts

Replacement Parts

- | | | |
|----|--------|------------------|
| 1. | 527901 | Caster Kit |
| 2. | 527903 | Handle Kit |
| 3. | 527917 | Handle Pivot Kit |

Maintenance

IMPORTANT: Dirt is the greatest single cause of failure in hydraulic units. Keep the jack clean and well lubricated to prevent foreign matter from entering the system. If the jack has been exposed to rain, snow, sand, or grit, it must be cleaned before it is used.

1. Store the jack in a well-protected area where it will not be exposed to corrosive vapors, abrasive dust, or any other harmful element.
2. Regularly lubricate the moving parts.
3. Replace the oil in the reservoir at least once per year. To check the oil level, place the jack on level ground and lower the lift arm completely. Remove the filler plug. The oil level should be within 3/8" of the filler plug hole. If necessary, add approved anti-wear hydraulic jack oil, and install the filler plug again. **IMPORTANT: Use only approved hydraulic fluid (Chevron AW Hydraulic Oil MV or equivalent). The use of alcohol or hydraulic brake fluid could damage seals and result in jack failure.**
4. Inspect the jack before each use. Take corrective action if any of the following problems are found:
 - a. Cracked or damaged housing
 - b. Excessive wear, bending, or other damage
 - c. Leaking hydraulic fluid
 - d. Scored or damaged piston rod
 - e. Malfunctioning swivel heads or adjusting screws
 - f. Loose hardware
 - g. Modified or altered equipment

Safety Precautions

⚠ WARNING: To prevent personal injury and/or property damage,



- Study, understand, and follow all instructions before operating this device. If the operator cannot read or understand these operating instructions and safety precautions, they must be read and discussed in the operator's native language.



- Wear eye protection that meets ANSI Z87.1 and OSHA standards.



- Use only on hard, level surfaces.
- Inspect the jack before each use; do not use the jack if it is damaged, altered, or in poor condition.

- No alterations shall be made to this product unless approved by OTC. If a modification is needed, contact OTC Technical Services.
- Use of this product is limited to the removal, installation, and transportation in the lowered position of only automotive or truck transmissions.
- Do not exceed the rated capacity of 1,000 lbs. (500 kg).
- Adequately support the vehicle before starting repairs.
- Stay out from underneath the load at all times.
- Secure the load to the jack.
- Lower the jack slowly and carefully while watching the position of the load.
- SLOWLY AND CAREFULLY move the jack around corners.
- Use only approved hydraulic fluid (Chevron AW Hydraulic Oil MV or equivalent). The use of alcohol or hydraulic brake fluid could damage seals and result in jack failure.