

TURBOCHARGER NUT

040062



Description: TURBOCHARGER NUT
SKU: 040062
OEM: 3818824
Product Group: ENGINE PARTS
Product Class: TURBOS & RELATED
UPC Code: 193807163617
Sell Pack: 4 EA
 (Available to buy in increments of 4)
Weight: 0.08 LBS
Warranty: 2 Years

Details:
 NUT,Turbocharger

E-Catalog Pages:

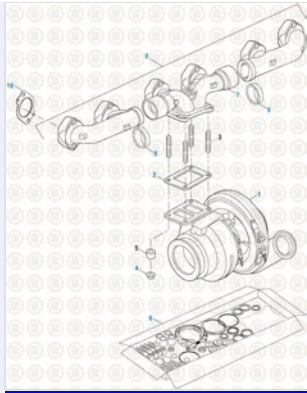
Catalog Page	Description
	<p>PAI Mack & Volvo Applications 2018 Oil Cooler and EGR Cooler - D11 / D13 Series</p>

Copyright © 2020 PAI Industries, Inc.
 All rights reserved. All content is property of PAI Industries, Inc, and may not be reproduced or redistributed in any form.

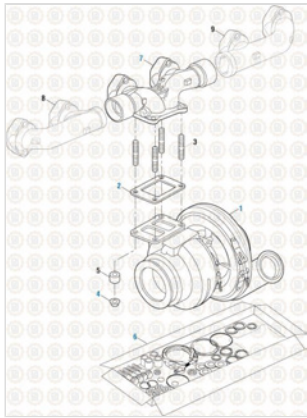
Any reference to OEM names or OEM product identification numbers/descriptions/model numbers is for identification only and does not indicate that it is an OEM part. PAI is not affiliated with Mack Truck, Inc.®, Volvo®, Fuller®, Cummins®, Eaton®, Rockwell®, Caterpillar®, Freightliner®, Hendrickson®, Kenworth®, Detroit Diesel®, International®, Peterbilt®, or Dana®. All Manufacturer's names, numbers, symbols and descriptions are used for reference only. It is not implied that any part listed is the product of these manufacturers.

TURBOCHARGER NUT

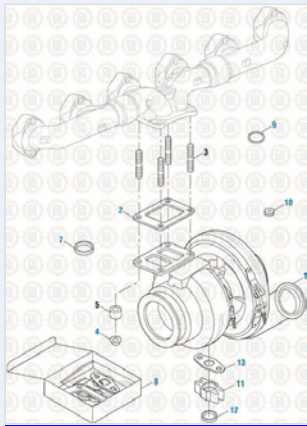
040062



PAI Mack & Volvo Applications 2018
Turbocharger - MP7 / MP8 Series



PAI Mack & Volvo Applications 2018
Turbocharger - D11 / D13 Series



PAI Mack & Volvo Applications 2018
Turbocharger - D12 Series

Hardware
Nuts - Progressive Size Index (Metric)

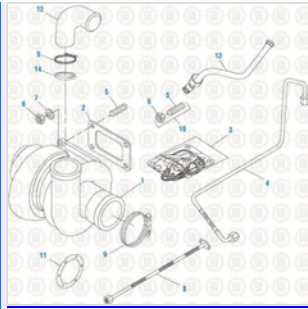
Copyright © 2020 PAI Industries, Inc.

All rights reserved. All content is property of PAI Industries, Inc. and may not be reproduced or redistributed in any form.

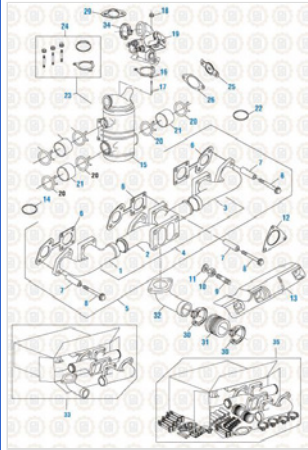
Any reference to OEM names or OEM product identification numbers/descriptions/model numbers is for identification only and does not indicate that it is an OEM part. PAI is not affiliated with Mack Truck, Inc.®, Volvo®, Fuller®, Cummins®, Eaton®, Rockwell®, Caterpillar®, Freightliner®, Hendrickson®, Kenworth®, Detroit Diesel®, International®, Peterbilt®, or Dana®. All Manufacturer's names, numbers, symbols and descriptions are used for reference only. It is not implied that any part listed is the product of these manufacturers.

TURBOCHARGER NUT

040062



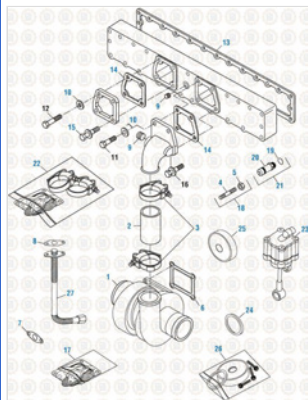
Detroit Diesel Engine 2019
Turbocharger - Series 60



Detroit Diesel Engine 2019
Exhaust Manifold and EGR Cooler - Series 60



Cummins Engine 2017
Turbocharger - 4B Series



Cummins Engine 2017
Turbochargers - L10 / M11 / ISM Series

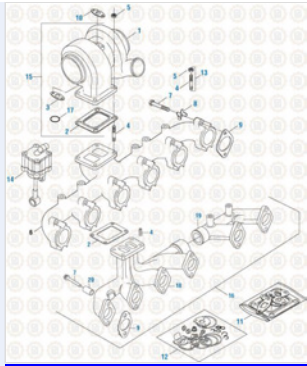
Copyright © 2020 PAI Industries, Inc.

All rights reserved. All content is property of PAI Industries, Inc. and may not be reproduced or redistributed in any form.

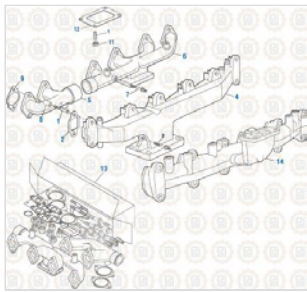
Any reference to OEM names or OEM product identification numbers/descriptions/model numbers is for identification only and does not indicate that it is an OEM part. PAI is not affiliated with Mack Truck, Inc.®, Volvo®, Fuller®, Cummins®, Eaton®, Rockwell®, Caterpillar®, Freightliner®, Hendrickson®, Kenworth®, Detroit Diesel®, International®, Peterbilt®, or Dana®. All Manufacturer's names, numbers, symbols and descriptions are used for reference only. It is not implied that any part listed is the product of these manufacturers.

TURBOCHARGER NUT

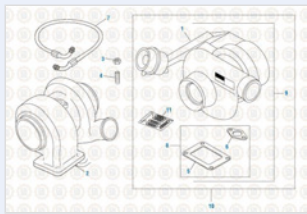
040062



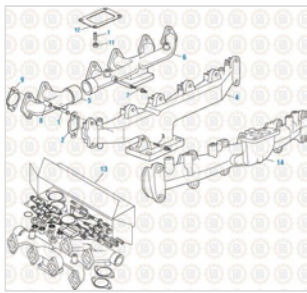
Cummins Engine 2017
Turbocharger and Exhaust Manifold - 6C / ISC / ISL Series



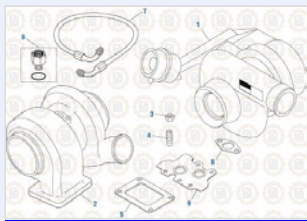
Cummins Engine 2017
Exhaust Manifold - ISB / QSB Series



Cummins Engine 2017
Turbocharger - 6B Series



Cummins Engine 2017
Exhaust Manifold - 6B Series



Cummins Engine 2017
Turbocharger - ISB / QSB Series

Component Of:



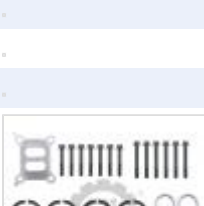
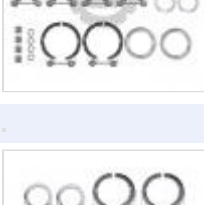

SKU	Image	Description
-----	-------	-------------

Copyright © 2020 PAI Industries, Inc.
All rights reserved. All content is property of PAI Industries, Inc, and may not be reproduced or redistributed in any form.

Any reference to OEM names or OEM product identification numbers/descriptions/model numbers is for identification only and does not indicate that it is an OEM part. PAI is not affiliated with Mack Truck, Inc.®, Volvo®, Fuller®, Cummins®, Eaton®, Rockwell®, Caterpillar®, Freightliner®, Hendrickson®, Kenworth®, Detroit Diesel®, International®, Peterbilt®, or Dana®. All Manufacturer's names, numbers, symbols and descriptions are used for reference only. It is not implied that any part listed is the product of these manufacturers.

TURBOCHARGER NUT

040062

040109		TURBOCHARGER MOUNTING STUD KIT
181023		EXHAUST MANIFOLD KIT
181050		EXHAUST MANIFOLD ASSEMBLY
181050HP		HIGH PERFORMANCE EXHAUST MANIFOLD ASSEMBLY
181064		EXHAUST MANIFOLD KIT
S60001-004		TEST ENGINE KIT
831073		O-RING AND GASKET KIT
831150		TURBOCHARGER MOUNTING KIT
842025		EGR CLAMP KIT

Cross Reference:	
Manufacturer	OEM Number
CUMMINS	3818824
DETROIT DIESEL	11506101
VOLVO	1543499
MACK	1543499
VOLVO	471622

Copyright © 2020 PAI Industries, Inc.
 All rights reserved. All content is property of PAI Industries, Inc. and may not be reproduced or redistributed in any form.

Any reference to OEM names or OEM product identification numbers/descriptions/model numbers is for identification only and does not indicate that it is an OEM part. PAI is not affiliated with Mack Truck, Inc.®, Volvo®, Fuller®, Cummins®, Eaton®, Rockwell®, Caterpillar®, Freightliner®, Hendrickson®, Kenworth®, Detroit Diesel®, International®, Peterbilt®, or Dana®. All Manufacturer's names, numbers, symbols and descriptions are used for reference only. It is not implied that any part listed is the product of these manufacturers.