

# WATER FERRULE

042100



**Description:** WATER FERRULE  
**SKU:** 042100  
**OEM:** 181213  
**Product Group:** ENGINE PARTS  
**Product Class:** MISCELLANEOUS INJECTION PARTS  
**UPC Code:** 193807182489  
**Sell Pack:** 5 EA  
 (Available to buy in increments of 5)  
**Weight:** 0.35 LBS  
**Warranty:** 2 Years



**Details:**

FITTING,Fuel Return(Elbow)

**E-Catalog Pages:**

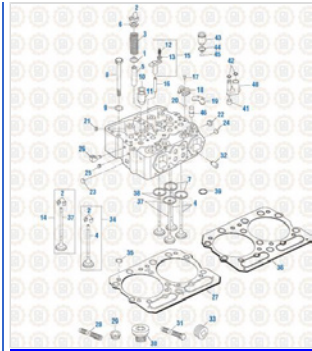
| Catalog Page | Description |
|--------------|-------------|
|              |             |

Copyright © 2020 PAI Industries, Inc.  
 All rights reserved. All content is property of PAI Industries, Inc, and may not be reproduced or redistributed in any form.

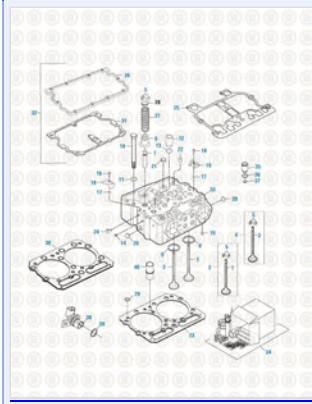
Any reference to OEM names or OEM product identification numbers/descriptions/model numbers is for identification only and does not indicate that it is an OEM part. PAI is not affiliated with Mack Truck, Inc.®, Volvo®, Fuller®, Cummins®, Eaton®, Rockwell®, Caterpillar®, Freightliner®, Hendrickson®, Kenworth®, Detroit Diesel®, International®, Peterbilt®, or Dana®. All Manufacturer's names, numbers, symbols and descriptions are used for reference only. It is not implied that any part listed is the product of these manufacturers.

# WATER FERRULE

042100



**Cummins Engine 2017**  
Cylinder Head Assemblies - 855 Series



**Cummins Engine 2017**  
Cylinder Head Assembly Components - N14 Series

**Cross Reference:**

| Manufacturer | OEM Number  |
|--------------|-------------|
| CUMMINS      | 181213      |
| MACK         | 1577-181213 |

Copyright © 2020 PAI Industries, Inc.  
All rights reserved. All content is property of PAI Industries, Inc, and may not be reproduced or redistributed in any form.

Any reference to OEM names or OEM product identification numbers/descriptions/model numbers is for identification only and does not indicate that it is an OEM part. PAI is not affiliated with Mack Truck, Inc.®, Volvo®, Fuller®, Cummins®, Eaton®, Rockwell®, Caterpillar®, Freightliner®, Hendrickson®, Kenworth®, Detroit Diesel®, International®, Peterbilt®, or Dana®. All Manufacturer's names, numbers, symbols and descriptions are used for reference only. It is not implied that any part listed is the product of these manufacturers.