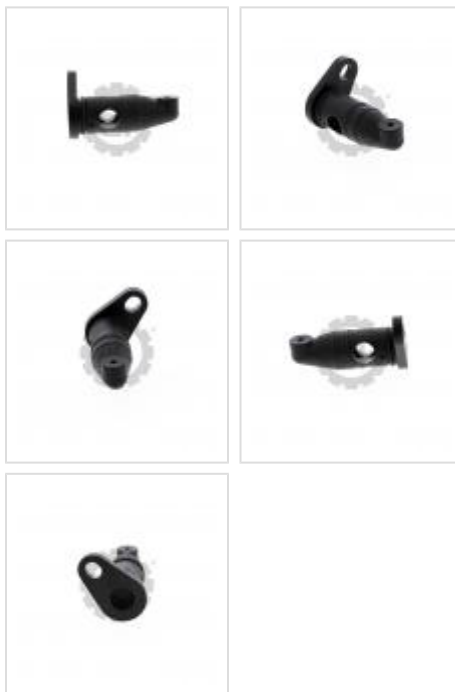


PISTON COOLING NOZZLE

045018



Description: PISTON COOLING NOZZLE
SKU: 045018
OEM: 4058947
Product Group: ENGINE PARTS
Product Class: ENGINE BLOCKS & BLOCK PARTS (EXCEPT LINERS)
UPC Code: 193807219635
Sell Pack: 2 EA
 (Available to buy in increments of 2)
Weight: 0.19 LBS
Warranty: 2 Years



Details:

Piston Cooling Nozzle
 Cummins N14 application
 Dupont Zytel Plus

E-Catalog Pages:

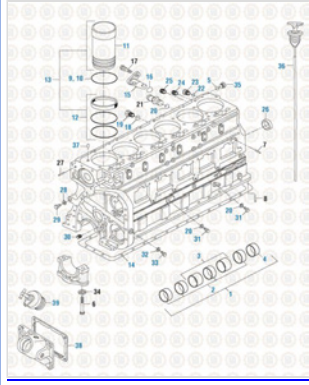
Catalog Page	Description

Copyright © 2020 PAI Industries, Inc.
 All rights reserved. All content is property of PAI Industries, Inc, and may not be reproduced or redistributed in any form.

Any reference to OEM names or OEM product identification numbers/descriptions/model numbers is for identification only and does not indicate that it is an OEM part. PAI is not affiliated with Mack Truck, Inc.®, Volvo®, Fuller®, Cummins®, Eaton®, Rockwell®, Caterpillar®, Freightliner®, Hendrickson®, Kenworth®, Detroit Diesel®, International®, Peterbilt®, or Dana®. All Manufacturer's names, numbers, symbols and descriptions are used for reference only. It is not implied that any part listed is the product of these manufacturers.

PISTON COOLING NOZZLE

045018



Cummins Engine 2017
Cylinder Block Components - N14 Series

Cross Reference:

Manufacturer	OEM Number
CUMMINS	3068526
CUMMINS	3082522
CUMMINS	4058947

Copyright © 2020 PAI Industries, Inc.

All rights reserved. All content is property of PAI Industries, Inc, and may not be reproduced or redistributed in any form.

Any reference to OEM names or OEM product identification numbers/descriptions/model numbers is for identification only and does not indicate that it is an OEM part. PAI is not affiliated with Mack Truck, Inc.®, Volvo®, Fuller®, Cummins®, Eaton®, Rockwell®, Caterpillar®, Freightliner®, Hendrickson®, Kenworth®, Detroit Diesel®, International®, Peterbilt®, or Dana®. All Manufacturer's names, numbers, symbols and descriptions are used for reference only. It is not implied that any part listed is the product of these manufacturers.