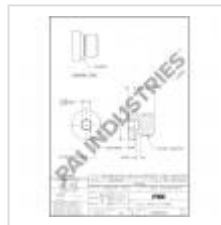


PLUG

050572



Description: PLUG
SKU: 050572
OEM: 3680420
Product Group: CAB
Product Class: PLUMBING FITTINGS
UPC Code: 193807271121
Sell Pack: 5 EA
 (Available to buy in increments of 5)
Weight: 0.22 LBS
Warranty: 2 Years



Details:

Straight Thread O-Ring Boss Plug
 M14 x 1.5 Thread Size
 19mm O.D.
 16mm Long
 121210 O-Ring included
 Steel

E-Catalog Pages:

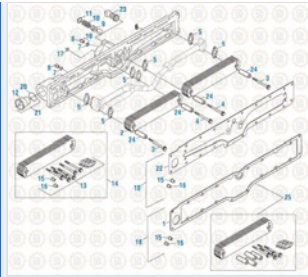
| Catalog Page | Description |
|--------------|--|
| | <p>Hardware O-Ring Plugs - Internal - Metric</p> |

Copyright © 2020 PAI Industries, Inc.
 All rights reserved. All content is property of PAI Industries, Inc. and may not be reproduced or redistributed in any form.

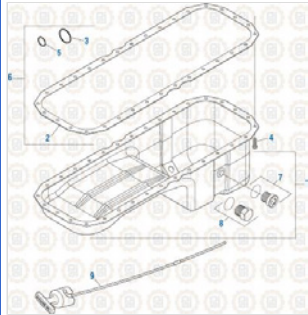
Any reference to OEM names or OEM product identification numbers/descriptions/model numbers is for identification only and does not indicate that it is an OEM part. PAI is not affiliated with Mack Truck, Inc.®, Volvo®, Fuller®, Cummins®, Eaton®, Rockwell®, Caterpillar®, Freightliner®, Hendrickson®, Kenworth®, Detroit Diesel®, International®, Peterbilt®, or Dana®. All Manufacturer's names, numbers, symbols and descriptions are used for reference only. It is not implied that any part listed is the product of these manufacturers.

PLUG

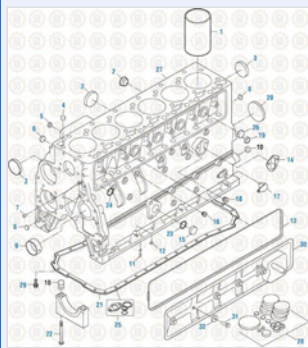
050572



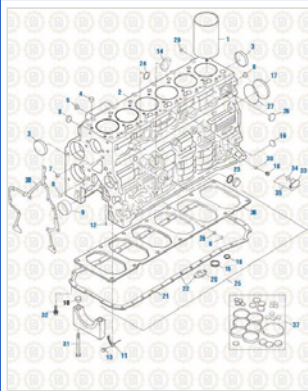
Cummins Engine 2017
Oil Cooler - ISX Series



Cummins Engine 2017
Oil Pan - ISX Series



Cummins Engine 2017
Cylinder Block Components - 6B Series



Cummins Engine 2017
Cylinder Block Components - ISB / QSB Series

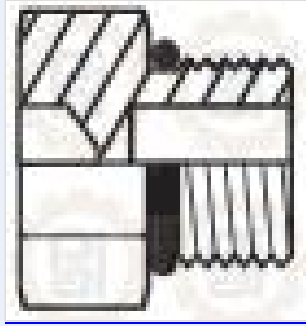
Copyright © 2020 PAI Industries, Inc.

All rights reserved. All content is property of PAI Industries, Inc. and may not be reproduced or redistributed in any form.

Any reference to OEM names or OEM product identification numbers/descriptions/model numbers is for identification only and does not indicate that it is an OEM part. PAI is not affiliated with Mack Truck, Inc.®, Volvo®, Fuller®, Cummins®, Eaton®, Rockwell®, Caterpillar®, Freightliner®, Hendrickson®, Kenworth®, Detroit Diesel®, International®, Peterbilt®, or Dana®. All Manufacturer's names, numbers, symbols and descriptions are used for reference only. It is not implied that any part listed is the product of these manufacturers.

PLUG

050572



Cummins Engine 2017
Fittings - Straight Thread O-Ring Boss Plugs(Metric)

Component Of:

| SKU | Image | Description |
|-------------------------|-------|-------------|
| 141283 | | OIL PAN |
| 141283E | | OIL PAN |
| 141341 | | OIL PAN |

Cross Reference:

| Manufacturer | OEM Number |
|----------------|------------------|
| CUMMINS | 3680420 |
| DETROIT DIESEL | 23533181 |
| MACK | 6635-VST114X15OR |
| CUMMINS | 3678921 |

Copyright © 2020 PAI Industries, Inc.
All rights reserved. All content is property of PAI Industries, Inc. and may not be reproduced or redistributed in any form.

Any reference to OEM names or OEM product identification numbers/descriptions/model numbers is for identification only and does not indicate that it is an OEM part. PAI is not affiliated with Mack Truck, Inc.®, Volvo®, Fuller®, Cummins®, Eaton®, Rockwell®, Caterpillar®, Freightliner®, Hendrickson®, Kenworth®, Detroit Diesel®, International®, Peterbilt®, or Dana®. All Manufacturer's names, numbers, symbols and descriptions are used for reference only. It is not implied that any part listed is the product of these manufacturers.