



## PAI REF. 060003 (CUM3036011) - FLYWHEEL HOUSING DOWEL PIN HOLE SIZE INSTALLATION

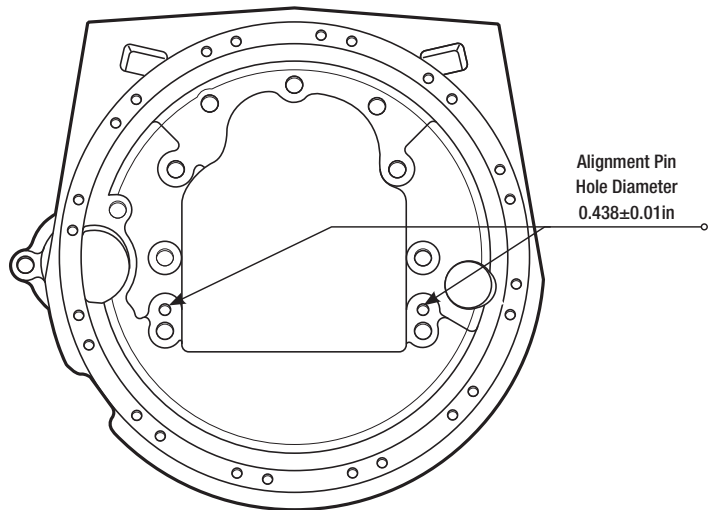


Figure 1: Flywheel Housing, Dowel Pin Hole Size

THE HOUSING DOWEL PIN HOLES ARE  
SEMI MACHINED.  
THIS ALLOWS FOR FINISH DRILL & REAM  
AFTER HOUSING ALIGNMENT  
(See Figure 1)

**ISO 9001**  
CERTIFIED