

FLYWHEEL HOUSING

060006



Description:	FLYWHEEL HOUSING
SKU:	060006
OEM:	3882591
Product Group:	ENGINE PARTS
Product Class:	FLYWHEELS & HOUSINGS, DAMPERS & CRANKSHAFT PULLEYS
UPC Code:	193807037130
Sell Pack:	1 EA
Weight:	46.45 LBS
Package Dimensions (LxWxH):	29 x 8 x 28 inches
Warranty:	2 Years



Details:

Flywheel Housing, Starter Openin 3-5/8in, SAE #1
Cummins L10, M11, ISM Engine

E-Catalog Pages:

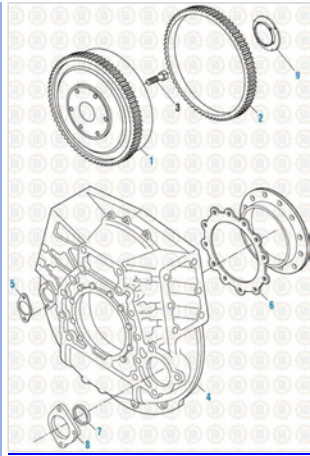
Catalog Page	Description

Copyright © 2020 PAI Industries, Inc.
All rights reserved. All content is property of PAI Industries, Inc, and may not be reproduced or redistributed in any form.

Any reference to OEM names or OEM product identification numbers/descriptions/model numbers is for identification only and does not indicate that it is an OEM part. PAI is not affiliated with Mack Truck, Inc.®, Volvo®, Fuller®, Cummins®, Eaton®, Rockwell®, Caterpillar®, Freightliner®, Hendrickson®, Kenworth®, Detroit Diesel®, International®, Peterbilt®, or Dana®. All Manufacturer's names, numbers, symbols and descriptions are used for reference only. It is not implied that any part listed is the product of these manufacturers.

FLYWHEEL HOUSING

060006



Cummins Engine 2017
Flywheel Assembly - L10 / M11 / ISM Series

Cross Reference:

Manufacturer	OEM Number
CUMMINS	3882590
CUMMINS	3883791
CUMMINS	3896853
CUMMINS	3899703
CUMMINS	4060483
CUMMINS	3882591

Copyright © 2020 PAI Industries, Inc.

All rights reserved. All content is property of PAI Industries, Inc, and may not be reproduced or redistributed in any form.

Any reference to OEM names or OEM product identification numbers/descriptions/model numbers is for identification only and does not indicate that it is an OEM part. PAI is not affiliated with Mack Truck, Inc.®, Volvo®, Fuller®, Cummins®, Eaton®, Rockwell®, Caterpillar®, Freightliner®, Hendrickson®, Kenworth®, Detroit Diesel®, International®, Peterbilt®, or Dana®. All Manufacturer's names, numbers, symbols and descriptions are used for reference only. It is not implied that any part listed is the product of these manufacturers.