

# FLYWHEEL HOUSING

060007



<b>Description:</b>	FLYWHEEL HOUSING
<b>SKU:</b>	060007
<b>OEM:</b>	4920517
<b>Product Group:</b>	ENGINE PARTS
<b>Product Class:</b>	FLYWHEELS & HOUSINGS, DAMPERS & CRANKSHAFT PULLEYS
<b>UPC Code:</b>	193807037147
<b>Sell Pack:</b>	1 EA
<b>Weight:</b>	45.60 LBS
<b>Package Dimensions (LxWxH):</b>	29 x 8 x 28 inches
<b>Warranty:</b>	2 Years



**Details:**

Flywheel Housing  
 Cummins Engine L10/M11/ISM series application

**E-Catalog Pages:**

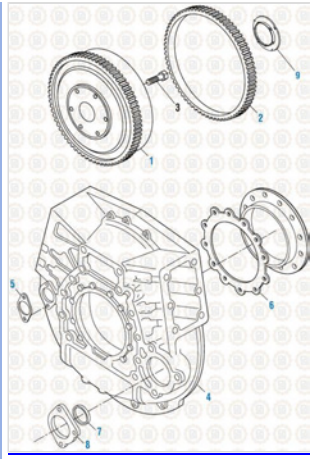
Catalog Page	Description

**Copyright © 2020 PAI Industries, Inc.**  
 All rights reserved. All content is property of PAI Industries, Inc, and may not be reproduced or redistributed in any form.

Any reference to OEM names or OEM product identification numbers/descriptions/model numbers is for identification only and does not indicate that it is an OEM part. PAI is not affiliated with Mack Truck, Inc.®, Volvo®, Fuller®, Cummins®, Eaton®, Rockwell®, Caterpillar®, Freightliner®, Hendrickson®, Kenworth®, Detroit Diesel®, International®, Peterbilt®, or Dana®. All Manufacturer's names, numbers, symbols and descriptions are used for reference only. It is not implied that any part listed is the product of these manufacturers.

## FLYWHEEL HOUSING

060007



**Cummins Engine 2017**  
Flywheel Assembly - L10 / M11 / ISM Series

**Cross Reference:**

Manufacturer	OEM Number
CUMMINS	4920517

Copyright © 2020 PAI Industries, Inc.  
All rights reserved. All content is property of PAI Industries, Inc, and may not be reproduced or redistributed in any form.

Any reference to OEM names or OEM product identification numbers/descriptions/model numbers is for identification only and does not indicate that it is an OEM part. PAI is not affiliated with Mack Truck, Inc.®, Volvo®, Fuller®, Cummins®, Eaton®, Rockwell®, Caterpillar®, Freightliner®, Hendrickson®, Kenworth®, Detroit Diesel®, International®, Peterbilt®, or Dana®. All Manufacturer's names, numbers, symbols and descriptions are used for reference only. It is not implied that any part listed is the product of these manufacturers.