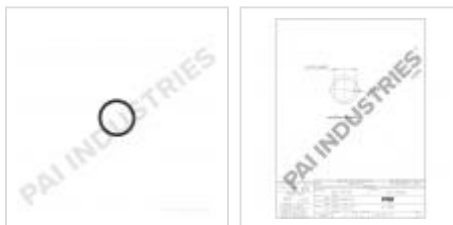


# O-RING

# 121217



**Description:** O-RING  
**SKU:** 121217  
**OEM:** 212161  
**Product Group:** ENGINE PARTS  
**Product Class:** OIL COOLERS & RELATED  
**UPC Code:** 193807089016  
**Sell Pack:** 10 EA  
 (Available to buy in increments of 10)  
**Weight:** 0.03 LBS  
**Warranty:** 2 Years



**Details:**

O-Ring  
 0.139 in C/S x 1.171 in ID  
 3.53 mm C/S x 29.74 mm ID  
 EPDM 70, Peroxide Cured / Optional TFE Green Series # -217

**Substitute:**

SKU	Sell Pack	Weight	Warranty	Description
<a href="#">GGA-2937</a>	10	0.04 LBS	2 Years	O-RING

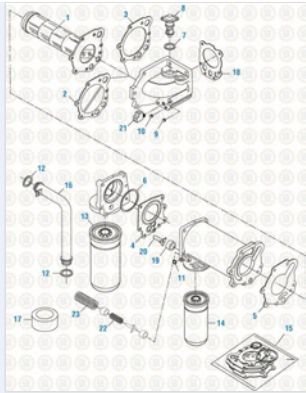
**E-Catalog Pages:**

Catalog Page	Description
	<b>O-Rings</b> AS568A

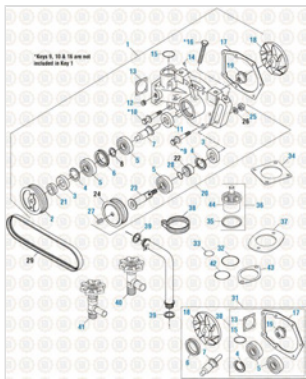
**Copyright © 2020 PAI Industries, Inc.**  
 All rights reserved. All content is property of PAI Industries, Inc, and may not be reproduced or redistributed in any form.  
 Any reference to OEM names or OEM product identification numbers/descriptions/model numbers is for identification only and does not indicate that it is an OEM part. PAI is not affiliated with Mack Truck, Inc.®, Volvo®, Fuller®, Cummins®, Eaton®, Rockwell®, Caterpillar®, Freightliner®, Hendrickson®, Kenworth®, Detroit Diesel®, International®, Peterbilt®, or Dana®. All Manufacturer's names, numbers, symbols and descriptions are used for reference only. It is not implied that any part listed is the product of these manufacturers.

# O-RING

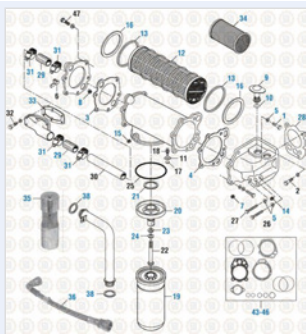
# 121217



**Cummins Engine 2017**  
86NT and 88NT - 855 Series




**Cummins Engine 2017**  
With Idler - Small Cam - FFC - 855 Series



**Cummins Engine 2017**  
Small Cam and Big Cam - 855 Series

**Component Of:**






SKU	Image	Description
<a href="#">131315-153</a>		COOLANT SYSTEM GASKET KIT

Copyright © 2020 PAI Industries, Inc.  
All rights reserved. All content is property of PAI Industries, Inc, and may not be reproduced or redistributed in any form.

Any reference to OEM names or OEM product identification numbers/descriptions/model numbers is for identification only and does not indicate that it is an OEM part. PAI is not affiliated with Mack Truck, Inc.®, Volvo®, Fuller®, Cummins®, Eaton®, Rockwell®, Caterpillar®, Freightliner®, Hendrickson®, Kenworth®, Detroit Diesel®, International®, Peterbilt®, or Dana®. All Manufacturer's names, numbers, symbols and descriptions are used for reference only. It is not implied that any part listed is the product of these manufacturers.

# O-RING

121217




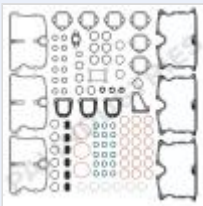

<p><a href="#">131317-153</a></p>		<p>COOLING SYSTEM GASKET KIT</p>
<p><a href="#">131328-201</a></p>		<p>O-RING KIT</p>
<p><a href="#">131329-153</a></p>		<p>COOLANT SYSTEM GASKET KIT</p>
<p><a href="#">131331</a></p>		<p>LOWER GASKET KIT</p>
<p><a href="#">131333</a></p>		<p>LOWER GASKET KIT</p>
<p><a href="#">131338</a></p>		<p>LOWER GASKET KIT</p>
<p><a href="#">131397</a></p>		<p>OIL COOLER INSTALLATION KIT</p>
<p><a href="#">131398</a></p>		<p>OIL COOLER INSTALLATION KIT</p>
<p><a href="#">131399</a></p>		<p>OIL COOLER INSTALLATION KIT</p>

Copyright © 2020 PAI Industries, Inc.  
 All rights reserved. All content is property of PAI Industries, Inc. and may not be reproduced or redistributed in any form.

Any reference to OEM names or OEM product identification numbers/descriptions/model numbers is for identification only and does not indicate that it is an OEM part. PAI is not affiliated with Mack Truck, Inc.®, Volvo®, Fuller®, Cummins®, Eaton®, Rockwell®, Caterpillar®, Freightliner®, Hendrickson®, Kenworth®, Detroit Diesel®, International®, Peterbilt®, or Dana®. All Manufacturer's names, numbers, symbols and descriptions are used for reference only. It is not implied that any part listed is the product of these manufacturers.

# O-RING

121217

<a href="#">131431</a>		OIL COOLER INSTALLATION KIT
<a href="#">131432</a>		OIL COOLER INSTALLATION KIT
<a href="#">131630</a>	.	UPPER GASKET KIT
<a href="#">131634</a>	.	UPPER GASKET KIT
<a href="#">131640</a>		LOWER GASKET KIT
<a href="#">131679</a>		UPPER GASKET KIT
<a href="#">131744</a>	.	UPPER GASKET KIT
<a href="#">131745</a>	.	UPPER GASKET KIT
<a href="#">131800</a>	.	OVERHAUL GASKET KIT
<a href="#">131896</a>	.	UPPER GASKET KIT
<a href="#">132025</a>	.	UPPER GASKET SET
<a href="#">141439</a>		INSTALLATION KIT

Cross Reference:	
Manufacturer	OEM Number
CUMMINS	211126
CUMMINS	212161

Copyright © 2020 PAI Industries, Inc.  
 All rights reserved. All content is property of PAI Industries, Inc. and may not be reproduced or redistributed in any form.

Any reference to OEM names or OEM product identification numbers/descriptions/model numbers is for identification only and does not indicate that it is an OEM part. PAI is not affiliated with Mack Truck, Inc.®, Volvo®, Fuller®, Cummins®, Eaton®, Rockwell®, Caterpillar®, Freightliner®, Hendrickson®, Kenworth®, Detroit Diesel®, International®, Peterbilt®, or Dana®. All Manufacturer's names, numbers, symbols and descriptions are used for reference only. It is not implied that any part listed is the product of these manufacturers.