

# OIL PAN GASKET

131270



<b>Description:</b>	OIL PAN GASKET
<b>SKU:</b>	131270
<b>OEM:</b>	3882733
<b>Product Group:</b>	ENGINE PARTS
<b>Product Class:</b>	ENGINE GASKETS, O-RINGS & GASKET SETS
<b>UPC Code:</b>	193807134297
<b>Sell Pack:</b>	1 EA
<b>Weight:</b>	1.05 LBS
<b>Package Dimensions (LxWxH):</b>	19 x 4 x 1 inches
<b>Warranty:</b>	2 Years



**Details:**

OIL PAN GASKET For External Dampening Engine L10 APPLICATION

**E-Catalog Pages:**

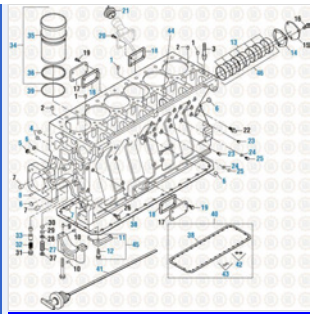
Catalog Page	Description
	<p><b>Cummins Engine 2017</b> L10 Series - L10 / M11 / ISM Series</p>

Copyright © 2020 PAI Industries, Inc.  
All rights reserved. All content is property of PAI Industries, Inc, and may not be reproduced or redistributed in any form.

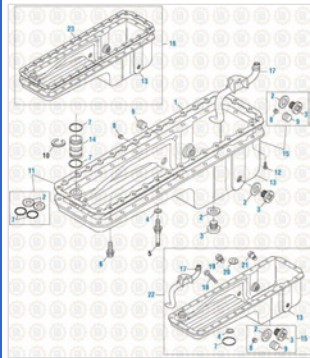
Any reference to OEM names or OEM product identification numbers/descriptions/model numbers is for identification only and does not indicate that it is an OEM part. PAI is not affiliated with Mack Truck, Inc.®, Volvo®, Fuller®, Cummins®, Eaton®, Rockwell®, Caterpillar®, Freightliner®, Hendrickson®, Kenworth®, Detroit Diesel®, International®, Peterbilt®, or Dana®. All Manufacturer's names, numbers, symbols and descriptions are used for reference only. It is not implied that any part listed is the product of these manufacturers.

# OIL PAN GASKET

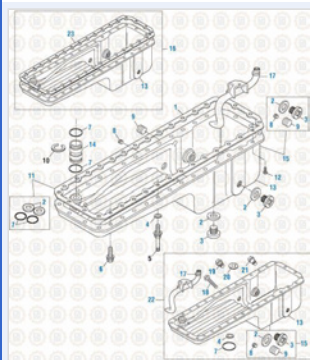
131270



**Cummins Engine 2017**  
Cylinder Block Components - L10 / M11 / ISM Series



**Cummins Engine 2017**  
Oil Pan - L10 / M11 / ISM Series



**Cummins Engine 2017**  
Oil Pan - L10 / M11 / ISM Series

**Heavy Duty Oil Pans and Gaskets**  
Oil Pan Gasket

**Component Of:**

SKU	Image	Description
<a href="#">131493</a>		OIL PAN GASKET KIT

Copyright © 2020 PAI Industries, Inc.  
All rights reserved. All content is property of PAI Industries, Inc, and may not be reproduced or redistributed in any form.

Any reference to OEM names or OEM product identification numbers/descriptions/model numbers is for identification only and does not indicate that it is an OEM part. PAI is not affiliated with Mack Truck, Inc.®, Volvo®, Fuller®, Cummins®, Eaton®, Rockwell®, Caterpillar®, Freightliner®, Hendrickson®, Kenworth®, Detroit Diesel®, International®, Peterbilt®, or Dana®. All Manufacturer's names, numbers, symbols and descriptions are used for reference only. It is not implied that any part listed is the product of these manufacturers.

## OIL PAN GASKET

131270

[131597](#)

LOWER GASKET KIT

## Cross Reference:

Manufacturer	OEM Number
CUMMINS	3882733
CUMMINS	4318308
CUMMINS	3401290
CUMMINS	3820952
CUMMINS	3819980

Copyright © 2020 PAI Industries, Inc.

All rights reserved. All content is property of PAI Industries, Inc, and may not be reproduced or redistributed in any form.

Any reference to OEM names or OEM product identification numbers/descriptions/model numbers is for identification only and does not indicate that it is an OEM part. PAI is not affiliated with Mack Truck, Inc.®, Volvo®, Fuller®, Cummins®, Eaton®, Rockwell®, Caterpillar®, Freightliner®, Hendrickson®, Kenworth®, Detroit Diesel®, International®, Peterbilt®, or Dana®. All Manufacturer's names, numbers, symbols and descriptions are used for reference only. It is not implied that any part listed is the product of these manufacturers.