

COVER GASKET

131322



Description: COVER GASKET
SKU: 131322
OEM: 3014778
Product Group: ENGINE PARTS
Product Class: ENGINE GASKETS, O-RINGS & GASKET SETS
UPC Code: 193807134990
Sell Pack: 10 EA
 (Available to buy in increments of 10)
Weight: 0.06 LBS
Warranty: 2 Years

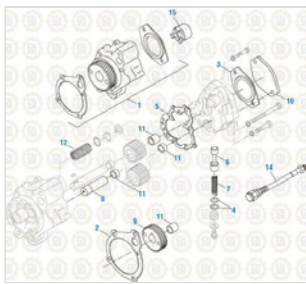


Details:

Cover Gasket
 Cummins N14 Series application

E-Catalog Pages:

Catalog Page	Description
--------------	-------------



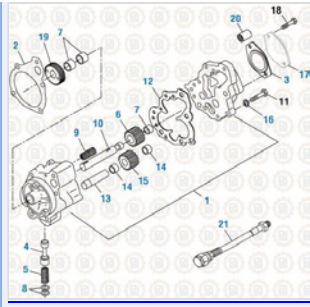
Cummins Engine 2017
 Big Cam II, III and IV - FFC - 855 Series

Copyright © 2020 PAI Industries, Inc.
 All rights reserved. All content is property of PAI Industries, Inc, and may not be reproduced or redistributed in any form.

Any reference to OEM names or OEM product identification numbers/descriptions/model numbers is for identification only and does not indicate that it is an OEM part. PAI is not affiliated with Mack Truck, Inc.®, Volvo®, Fuller®, Cummins®, Eaton®, Rockwell®, Caterpillar®, Freightliner®, Hendrickson®, Kenworth®, Detroit Diesel®, International®, Peterbilt®, or Dana®. All Manufacturer's names, numbers, symbols and descriptions are used for reference only. It is not implied that any part listed is the product of these manufacturers.

COVER GASKET

131322



Cummins Engine 2017
Oil Pump Assembly - N14 Series

Component Of:


SKU	Image	Description
131273		LOWER GASKET SET
131332		LOWER GASKET KIT
131333		LOWER GASKET KIT
131337		LOWER GASKET KIT
131338		LOWER GASKET KIT
131422		LOWER GASKET KIT

Copyright © 2020 PAI Industries, Inc.
All rights reserved. All content is property of PAI Industries, Inc. and may not be reproduced or redistributed in any form.

Any reference to OEM names or OEM product identification numbers/descriptions/model numbers is for identification only and does not indicate that it is an OEM part. PAI is not affiliated with Mack Truck, Inc.®, Volvo®, Fuller®, Cummins®, Eaton®, Rockwell®, Caterpillar®, Freightliner®, Hendrickson®, Kenworth®, Detroit Diesel®, International®, Peterbilt®, or Dana®. All Manufacturer's names, numbers, symbols and descriptions are used for reference only. It is not implied that any part listed is the product of these manufacturers.

COVER GASKET

131322

131539		LOWER GASKET KIT
131800		OVERHAUL GASKET KIT
131933		LOWER GASKET KIT

Cross Reference:	
Manufacturer	OEM Number
CUMMINS	3012720
CUMMINS	3014778

Copyright © 2020 PAI Industries, Inc.
 All rights reserved. All content is property of PAI Industries, Inc, and may not be reproduced or redistributed in any form.

Any reference to OEM names or OEM product identification numbers/descriptions/model numbers is for identification only and does not indicate that it is an OEM part. PAI is not affiliated with Mack Truck, Inc.®, Volvo®, Fuller®, Cummins®, Eaton®, Rockwell®, Caterpillar®, Freightliner®, Hendrickson®, Kenworth®, Detroit Diesel®, International®, Peterbilt®, or Dana®. All Manufacturer's names, numbers, symbols and descriptions are used for reference only. It is not implied that any part listed is the product of these manufacturers.