

# CONNECTION GASKET

131365



**Description:** CONNECTION GASKET  
**SKU:** 131365  
**OEM:** 3069098  
**Product Group:** ENGINE PARTS  
**Product Class:** ENGINE GASKETS, O-RINGS & GASKET SETS  
**UPC Code:** 193807135423  
**Sell Pack:** 10 EA  
 (Available to buy in increments of 10)  
**Weight:** 0.10 LBS  
**Warranty:** 2 Years



**Details:**

Connection Gasket  
 Cummins 855 Series application

**E-Catalog Pages:**

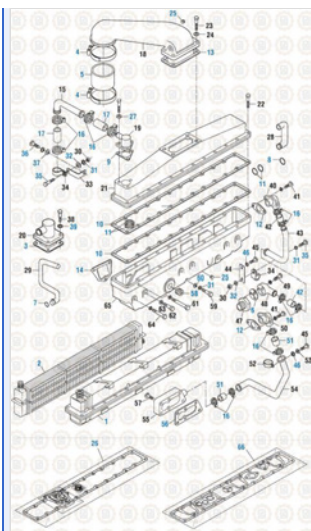
Catalog Page	Description
	<p><b>Cummins Engine 2017</b>                  Cylinder Block Components - Small Cam - Non-FFC and FFC, Big Cam - FFC, Including 88NT - 855 Series</p>

Copyright © 2020 PAI Industries, Inc.  
 All rights reserved. All content is property of PAI Industries, Inc. and may not be reproduced or redistributed in any form.

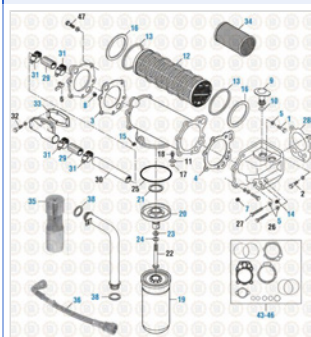
Any reference to OEM names or OEM product identification numbers/descriptions/model numbers is for identification only and does not indicate that it is an OEM part. PAI is not affiliated with Mack Truck, Inc.®, Volvo®, Fuller®, Cummins®, Eaton®, Rockwell®, Caterpillar®, Freightliner®, Hendrickson®, Kenworth®, Detroit Diesel®, International®, Peterbilt®, or Dana®. All Manufacturer's names, numbers, symbols and descriptions are used for reference only. It is not implied that any part listed is the product of these manufacturers.

# CONNECTION GASKET

131365



**Cummins Engine 2017**  
Aftercoolers, Intake Manifold and Components - Small Cam - FFC and Big Cam I, II, III - FFC - 855 Series



**Cummins Engine 2017**  
Small Cam and Big Cam - 855 Series

**Component Of:**






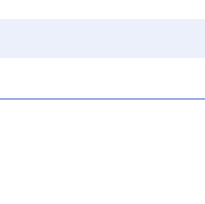
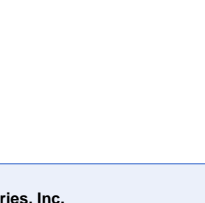
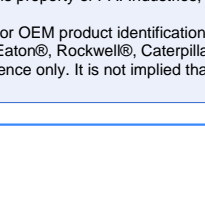
SKU	Image	Description
<a href="#">131273</a>		LOWER GASKET SET
<a href="#">131331</a>		LOWER GASKET KIT
<a href="#">131332</a>		LOWER GASKET KIT
<a href="#">131333</a>		LOWER GASKET KIT
<a href="#">131334</a>		LOWER GASKET KIT

Copyright © 2020 PAI Industries, Inc.  
All rights reserved. All content is property of PAI Industries, Inc. and may not be reproduced or redistributed in any form.

Any reference to OEM names or OEM product identification numbers/descriptions/model numbers is for identification only and does not indicate that it is an OEM part. PAI is not affiliated with Mack Truck, Inc.®, Volvo®, Fuller®, Cummins®, Eaton®, Rockwell®, Caterpillar®, Freightliner®, Hendrickson®, Kenworth®, Detroit Diesel®, International®, Peterbilt®, or Dana®. All Manufacturer's names, numbers, symbols and descriptions are used for reference only. It is not implied that any part listed is the product of these manufacturers.

# CONNECTION GASKET

131365

<a href="#">131336</a>		LOWER GASKET KIT
<a href="#">131337</a>		LOWER GASKET KIT
<a href="#">131338</a>		LOWER GASKET KIT
<a href="#">131421</a>		LOWER GASKET KIT
<a href="#">131422</a>		LOWER GASKET KIT
<a href="#">131431</a>		OIL COOLER INSTALLATION KIT
<a href="#">131539</a>		LOWER GASKET KIT
<a href="#">131800</a>		OVERHAUL GASKET KIT
<a href="#">131933</a>		LOWER GASKET KIT

Cross Reference:	
Manufacturer	OEM Number
CUMMINS	3069098
CUMMINS	69316
CUMMINS	70089-1

Copyright © 2020 PAI Industries, Inc.  
 All rights reserved. All content is property of PAI Industries, Inc. and may not be reproduced or redistributed in any form.

Any reference to OEM names or OEM product identification numbers/descriptions/model numbers is for identification only and does not indicate that it is an OEM part. PAI is not affiliated with Mack Truck, Inc.®, Volvo®, Fuller®, Cummins®, Eaton®, Rockwell®, Caterpillar®, Freightliner®, Hendrickson®, Kenworth®, Detroit Diesel®, International®, Peterbilt®, or Dana®. All Manufacturer's names, numbers, symbols and descriptions are used for reference only. It is not implied that any part listed is the product of these manufacturers.