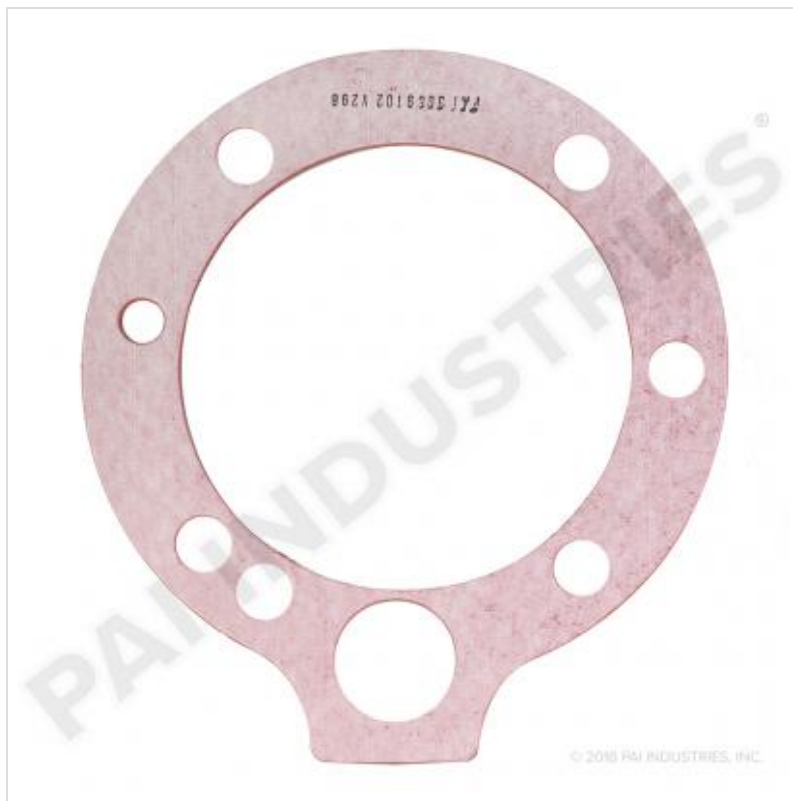


MOUNTING GASKET

131367



Description: MOUNTING GASKET
SKU: 131367
OEM: 3069102
Product Group: ENGINE PARTS
Product Class: ENGINE GASKETS, O-RINGS & GASKET SETS
UPC Code: 193807135454
Sell Pack: 5 EA
 (Available to buy in increments of 5)
Weight: 0.18 LBS
Warranty: 2 Years



Details:

Mounting Gasket
 Cummins 855 Series application

E-Catalog Pages:

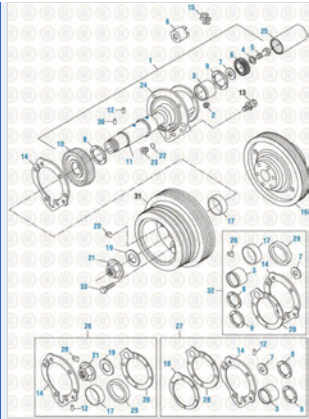
Catalog Page	Description
	<p>Cummins Engine 2017 Front Cover and Components - 855 Series</p>

Copyright © 2020 PAI Industries, Inc.
 All rights reserved. All content is property of PAI Industries, Inc, and may not be reproduced or redistributed in any form.

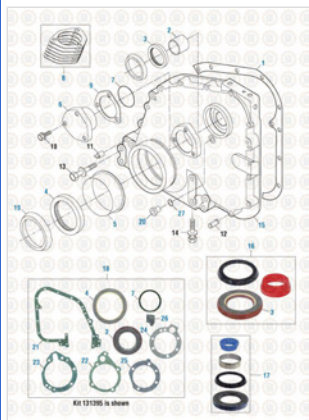
Any reference to OEM names or OEM product identification numbers/descriptions/model numbers is for identification only and does not indicate that it is an OEM part. PAI is not affiliated with Mack Truck, Inc.®, Volvo®, Fuller®, Cummins®, Eaton®, Rockwell®, Caterpillar®, Freightliner®, Hendrickson®, Kenworth®, Detroit Diesel®, International®, Peterbilt®, or Dana®. All Manufacturer's names, numbers, symbols and descriptions are used for reference only. It is not implied that any part listed is the product of these manufacturers.

MOUNTING GASKET

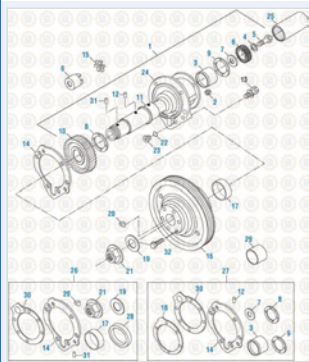
131367



Cummins Engine 2017
Accessory Drives - 855 Series



Cummins Engine 2017
Front Covers Components - N14 Series



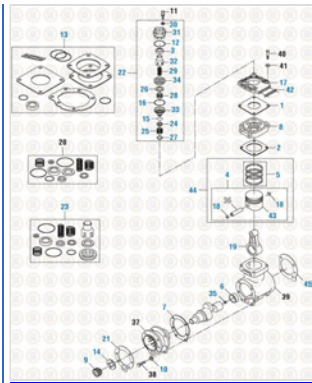
Cummins Engine 2017
Accessory Drives - Cast Iron Housing - N14 Series

Copyright © 2020 PAI Industries, Inc.
All rights reserved. All content is property of PAI Industries, Inc. and may not be reproduced or redistributed in any form.

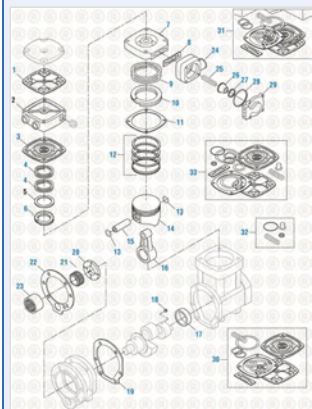
Any reference to OEM names or OEM product identification numbers/descriptions/model numbers is for identification only and does not indicate that it is an OEM part. PAI is not affiliated with Mack Truck, Inc.®, Volvo®, Fuller®, Cummins®, Eaton®, Rockwell®, Caterpillar®, Freightliner®, Hendrickson®, Kenworth®, Detroit Diesel®, International®, Peterbilt®, or Dana®. All Manufacturer's names, numbers, symbols and descriptions are used for reference only. It is not implied that any part listed is the product of these manufacturers.

MOUNTING GASKET

131367



Cummins Engine 2017
13.2 CFM Model SS296 - Miscellaneous Components




Cummins Engine 2017
QE Series - Miscellaneous Components



Air & Electrical 2019
Compressor Gaskets - Compressors

Component Of:



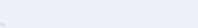



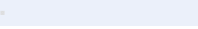
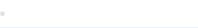


SKU	Image	Description
131266-100		GASKET KIT
131273		LOWER GASKET SET
131331		LOWER GASKET KIT

Copyright © 2020 PAI Industries, Inc.
All rights reserved. All content is property of PAI Industries, Inc. and may not be reproduced or redistributed in any form.

Any reference to OEM names or OEM product identification numbers/descriptions/model numbers is for identification only and does not indicate that it is an OEM part. PAI is not affiliated with Mack Truck, Inc.®, Volvo®, Fuller®, Cummins®, Eaton®, Rockwell®, Caterpillar®, Freightliner®, Hendrickson®, Kenworth®, Detroit Diesel®, International®, Peterbilt®, or Dana®. All Manufacturer's names, numbers, symbols and descriptions are used for reference only. It is not implied that any part listed is the product of these manufacturers.

MOUNTING GASKET

131367



<p>131332</p>		<p>LOWER GASKET KIT</p>
<p>131333</p>		<p>LOWER GASKET KIT</p>
<p>131336</p>		<p>LOWER GASKET KIT</p>
<p>131337</p>		<p>LOWER GASKET KIT</p>
<p>131338</p>		<p>LOWER GASKET KIT</p>
<p>131395</p>		<p>FRONT COVER GASKET KIT</p>
<p>131422</p>		<p>LOWER GASKET KIT</p>
<p>131535</p>		<p>LOWER GASKET KIT</p>
<p>131595</p>		<p>FRONT COVER GASKET KIT</p>
<p>131596</p>		<p>FRONT COVER GASKET KIT</p>

Copyright © 2020 PAI Industries, Inc.
 All rights reserved. All content is property of PAI Industries, Inc. and may not be reproduced or redistributed in any form.

Any reference to OEM names or OEM product identification numbers/descriptions/model numbers is for identification only and does not indicate that it is an OEM part. PAI is not affiliated with Mack Truck, Inc.®, Volvo®, Fuller®, Cummins®, Eaton®, Rockwell®, Caterpillar®, Freightliner®, Hendrickson®, Kenworth®, Detroit Diesel®, International®, Peterbilt®, or Dana®. All Manufacturer's names, numbers, symbols and descriptions are used for reference only. It is not implied that any part listed is the product of these manufacturers.

MOUNTING GASKET

131367

131597		LOWER GASKET KIT
131719		LOWER GASKET KIT
131800		OVERHAUL GASKET KIT
131933		LOWER GASKET KIT
131952		LOWER GASKET KIT
151540		ACCESSORY DRIVE REPAIR KIT
151541		ACCESSORY DRIVE REPAIR KIT
180923		ACCESSORY DRIVE INSTALLATION KIT

Cross Reference:	
Manufacturer	OEM Number
CUMMINS	206207
CUMMINS	218027
CUMMINS	3025890
CUMMINS	3049688
CUMMINS	3069102
CUMMINS	3201850
CUMMINS	4952625
NAVISTAR	457305C1
CUMMINS	3820922
CUMMINS	3819770

Copyright © 2020 PAI Industries, Inc.
 All rights reserved. All content is property of PAI Industries, Inc, and may not be reproduced or redistributed in any form.

Any reference to OEM names or OEM product identification numbers/descriptions/model numbers is for identification only and does not indicate that it is an OEM part. PAI is not affiliated with Mack Truck, Inc.®, Volvo®, Fuller®, Cummins®, Eaton®, Rockwell®, Caterpillar®, Freightliner®, Hendrickson®, Kenworth®, Detroit Diesel®, International®, Peterbilt®, or Dana®. All Manufacturer's names, numbers, symbols and descriptions are used for reference only. It is not implied that any part listed is the product of these manufacturers.