

ROCKER COVER GASKET

131419



Description: ROCKER COVER GASKET
SKU: 131419
OEM: 3930906
Product Group: ENGINE PARTS
Product Class: ENGINE GASKETS, O-RINGS & GASKET SETS
UPC Code: 193807136079
Sell Pack: 6 EA
 (Available to buy in increments of 6)
Weight: 0.28 LBS
Warranty: 2 Years



Details:

Rocker Cover Gasket
 Silicone
 2 VH
 Cummins 6B Series application

E-Catalog Pages:

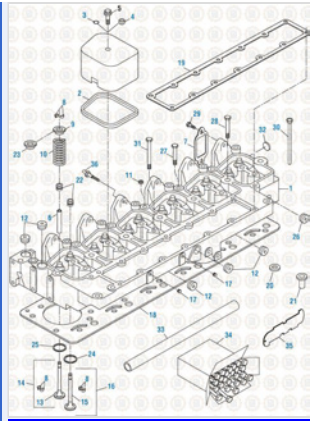
Catalog Page	Description
	<p>Cummins Engine 2017 Cylinder Head Assemblies - 4B Series</p>

Copyright © 2020 PAI Industries, Inc.
 All rights reserved. All content is property of PAI Industries, Inc, and may not be reproduced or redistributed in any form.

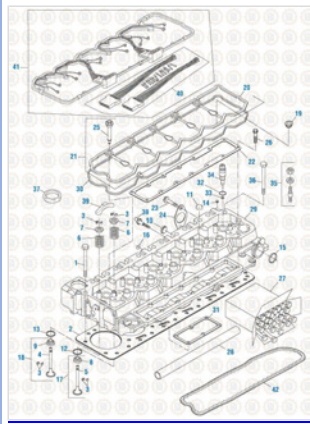
Any reference to OEM names or OEM product identification numbers/descriptions/model numbers is for identification only and does not indicate that it is an OEM part. PAI is not affiliated with Mack Truck, Inc.®, Volvo®, Fuller®, Cummins®, Eaton®, Rockwell®, Caterpillar®, Freightliner®, Hendrickson®, Kenworth®, Detroit Diesel®, International®, Peterbilt®, or Dana®. All Manufacturer's names, numbers, symbols and descriptions are used for reference only. It is not implied that any part listed is the product of these manufacturers.

ROCKER COVER GASKET

131419





Cummins Engine 2017
Cylinder Head Assemblies - 6B Series



Cummins Engine 2017
Cylinder Head Components - ISB / QSB Series

Component Of:

SKU	Image	Description
131404		UPPER GASKET KIT
131601		UPPER GASKET KIT
131602	-	UPPER GASKET KIT
131609	-	UPPER GASKET KIT
131613	-	UPPER GASKET KIT

Copyright © 2020 PAI Industries, Inc.
All rights reserved. All content is property of PAI Industries, Inc. and may not be reproduced or redistributed in any form.

Any reference to OEM names or OEM product identification numbers/descriptions/model numbers is for identification only and does not indicate that it is an OEM part. PAI is not affiliated with Mack Truck, Inc.®, Volvo®, Fuller®, Cummins®, Eaton®, Rockwell®, Caterpillar®, Freightliner®, Hendrickson®, Kenworth®, Detroit Diesel®, International®, Peterbilt®, or Dana®. All Manufacturer's names, numbers, symbols and descriptions are used for reference only. It is not implied that any part listed is the product of these manufacturers.

ROCKER COVER GASKET

131419

131635	•	UPPER GASKET KIT
131687	•	UPPER GASKET KIT
131688	•	UPPER GASKET KIT
131881	•	UPPER GASKET KIT
131883	•	UPPER GASKET KIT

Cross Reference:

Manufacturer	OEM Number
CUMMINS	3902666
CUMMINS	3902492
CUMMINS	3930906
CUMMINS	3902494

Copyright © 2020 PAI Industries, Inc.

All rights reserved. All content is property of PAI Industries, Inc, and may not be reproduced or redistributed in any form.

Any reference to OEM names or OEM product identification numbers/descriptions/model numbers is for identification only and does not indicate that it is an OEM part. PAI is not affiliated with Mack Truck, Inc.®, Volvo®, Fuller®, Cummins®, Eaton®, Rockwell®, Caterpillar®, Freightliner®, Hendrickson®, Kenworth®, Detroit Diesel®, International®, Peterbilt®, or Dana®. All Manufacturer's names, numbers, symbols and descriptions are used for reference only. It is not implied that any part listed is the product of these manufacturers.