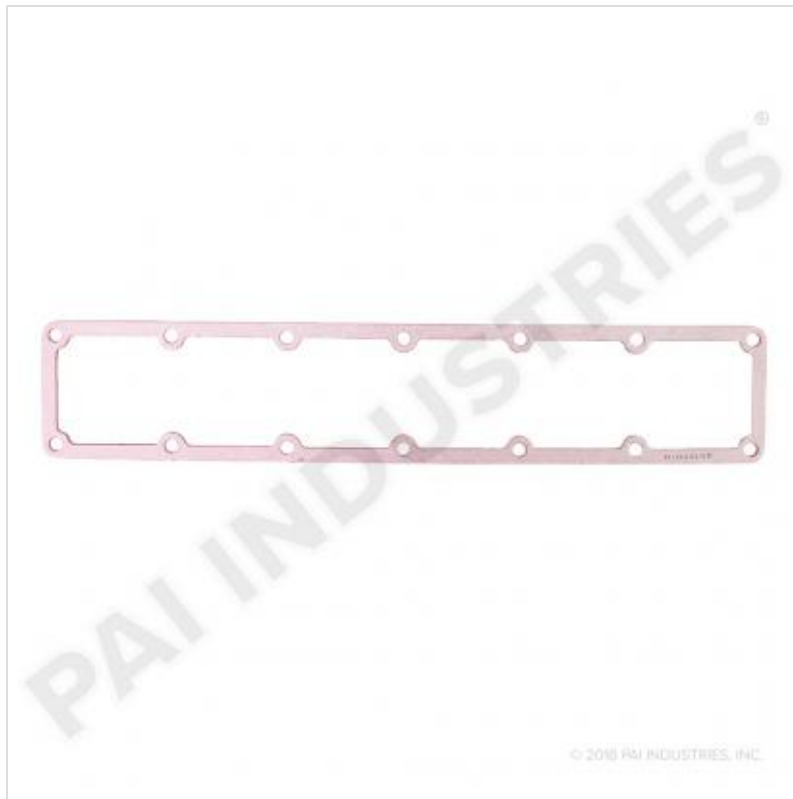


INTAKE MANIFOLD COVER GASKET

131442



Description:	INTAKE MANIFOLD COVER GASKET
SKU:	131442
OEM:	3931347
Product Group:	ENGINE PARTS
Product Class:	ENGINE GASKETS, O-RINGS & GASKET SETS
UPC Code:	193807136314
Sell Pack:	5 EA (Available to buy in increments of 5)
Weight:	0.50 LBS
Package Dimensions (LxWxH):	20 x 10 x 1 inches
Warranty:	2 Years



Details:

Intake Manifold Cover Gasket
Cummins ISB / QSB Series application

E-Catalog Pages:

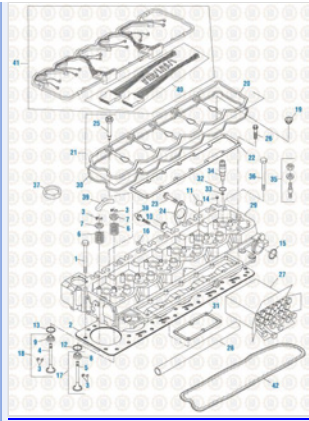
Catalog Page	Description
	<p>Cummins Engine 2017 Cylinder Head Assemblies - 6B Series</p>

Copyright © 2020 PAI Industries, Inc.
All rights reserved. All content is property of PAI Industries, Inc, and may not be reproduced or redistributed in any form.

Any reference to OEM names or OEM product identification numbers/descriptions/model numbers is for identification only and does not indicate that it is an OEM part. PAI is not affiliated with Mack Truck, Inc.®, Volvo®, Fuller®, Cummins®, Eaton®, Rockwell®, Caterpillar®, Freightliner®, Hendrickson®, Kenworth®, Detroit Diesel®, International®, Peterbilt®, or Dana®. All Manufacturer's names, numbers, symbols and descriptions are used for reference only. It is not implied that any part listed is the product of these manufacturers.




INTAKE MANIFOLD COVER GASKET

131442



Cummins Engine 2017
Cylinder Head Components - ISB / QSB Series

Component Of:

SKU	Image	Description
131404		UPPER GASKET KIT
131566		UPPER GASKET KIT
131566J	-	UPPER GASKET SET
131601		UPPER GASKET KIT
131609	-	UPPER GASKET KIT
131635	-	UPPER GASKET KIT
131687	-	UPPER GASKET KIT
131688	-	UPPER GASKET KIT
131809	-	UPPER GASKET KIT
131881	-	UPPER GASKET KIT

Cross Reference:

Copyright © 2020 PAI Industries, Inc.
All rights reserved. All content is property of PAI Industries, Inc. and may not be reproduced or redistributed in any form.

Any reference to OEM names or OEM product identification numbers/descriptions/model numbers is for identification only and does not indicate that it is an OEM part. PAI is not affiliated with Mack Truck, Inc.®, Volvo®, Fuller®, Cummins®, Eaton®, Rockwell®, Caterpillar®, Freightliner®, Hendrickson®, Kenworth®, Detroit Diesel®, International®, Peterbilt®, or Dana®. All Manufacturer's names, numbers, symbols and descriptions are used for reference only. It is not implied that any part listed is the product of these manufacturers.

INTAKE MANIFOLD COVER GASKET

131442

Manufacturer	OEM Number
CUMMINS	3902002
CUMMINS	3907036
CUMMINS	3914029
CUMMINS	3931347
CUMMINS	3938152

Copyright © 2020 PAI Industries, Inc.

All rights reserved. All content is property of PAI Industries, Inc. and may not be reproduced or redistributed in any form.

Any reference to OEM names or OEM product identification numbers/descriptions/model numbers is for identification only and does not indicate that it is an OEM part. PAI is not affiliated with Mack Truck, Inc.®, Volvo®, Fuller®, Cummins®, Eaton®, Rockwell®, Caterpillar®, Freightliner®, Hendrickson®, Kenworth®, Detroit Diesel®, International®, Peterbilt®, or Dana®. All Manufacturer's names, numbers, symbols and descriptions are used for reference only. It is not implied that any part listed is the product of these manufacturers.