

HYDRAULIC PUMP COVER GASKET

131451



Description: HYDRAULIC PUMP COVER GASKET
SKU: 131451
OEM: 3558515
Product Group: ENGINE PARTS
Product Class: ENGINE GASKETS, O-RINGS & GASKET SETS
UPC Code: 193807136406
Sell Pack: 5 EA
 (Available to buy in increments of 5)
Weight: 0.10 LBS
Warranty: 2 Years



Details:
 Hydraulic Pump Cover Gasket
 International DT-360 Series application
 Cummins application

E-Catalog Pages:

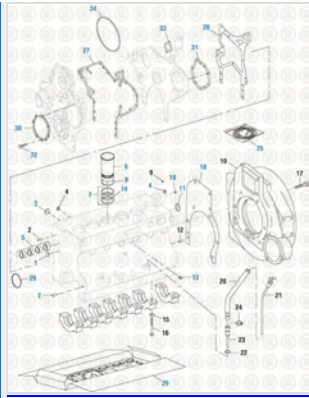
Catalog Page	Description
	<p>Chassis Suspension Housing and Couplings - Steering Components</p>

Copyright © 2020 PAI Industries, Inc.
 All rights reserved. All content is property of PAI Industries, Inc, and may not be reproduced or redistributed in any form.

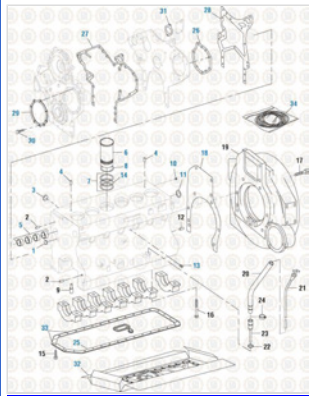
Any reference to OEM names or OEM product identification numbers/descriptions/model numbers is for identification only and does not indicate that it is an OEM part. PAI is not affiliated with Mack Truck, Inc.®, Volvo®, Fuller®, Cummins®, Eaton®, Rockwell®, Caterpillar®, Freightliner®, Hendrickson®, Kenworth®, Detroit Diesel®, International®, Peterbilt®, or Dana®. All Manufacturer's names, numbers, symbols and descriptions are used for reference only. It is not implied that any part listed is the product of these manufacturers.

HYDRAULIC PUMP COVER GASKET

131451



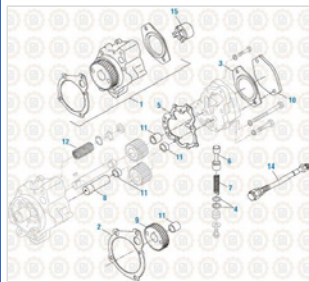
International Engine 2019
Cylinder Block Components - DT-466 (Early to 1993)



International Engine 2019
Cylinder Block Components - DT-360 Series



Cummins Engine 2017
Small Cam and Big Cam I - 855 Series



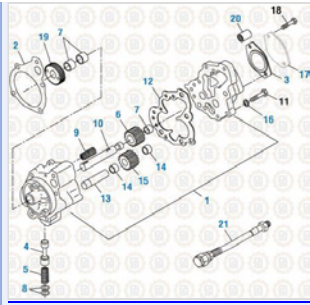
Cummins Engine 2017
Big Cam II, III and IV - FFC - 855 Series

Copyright © 2020 PAI Industries, Inc.
All rights reserved. All content is property of PAI Industries, Inc. and may not be reproduced or redistributed in any form.

Any reference to OEM names or OEM product identification numbers/descriptions/model numbers is for identification only and does not indicate that it is an OEM part. PAI is not affiliated with Mack Truck, Inc.®, Volvo®, Fuller®, Cummins®, Eaton®, Rockwell®, Caterpillar®, Freightliner®, Hendrickson®, Kenworth®, Detroit Diesel®, International®, Peterbilt®, or Dana®. All Manufacturer's names, numbers, symbols and descriptions are used for reference only. It is not implied that any part listed is the product of these manufacturers.

HYDRAULIC PUMP COVER GASKET

131451



Cummins Engine 2017
Oil Pump Assembly - N14 Series

Component Of:

SKU	Image	Description
331129	.	OVERHAUL GASKET KIT
131266-100	.	GASKET KIT
131402-100	.	LOWER GASKET KIT
131405-100	.	GASKET KIT
131422	.	LOWER GASKET KIT
131597-100	.	GASKET KIT
131933	.	LOWER GASKET KIT
141300		OIL PUMP ASSEMBLY
141300E		OIL PUMP ASSEMBLY
EM35830		FUEL SUPPLY PUMP

Copyright © 2020 PAI Industries, Inc.
All rights reserved. All content is property of PAI Industries, Inc. and may not be reproduced or redistributed in any form.

Any reference to OEM names or OEM product identification numbers/descriptions/model numbers is for identification only and does not indicate that it is an OEM part. PAI is not affiliated with Mack Truck, Inc.®, Volvo®, Fuller®, Cummins®, Eaton®, Rockwell®, Caterpillar®, Freightliner®, Hendrickson®, Kenworth®, Detroit Diesel®, International®, Peterbilt®, or Dana®. All Manufacturer's names, numbers, symbols and descriptions are used for reference only. It is not implied that any part listed is the product of these manufacturers.

HYDRAULIC PUMP COVER GASKET

131451

[ESP-3583](#)

SUPPLY PUMP

[EGS-3903-002](#)

STEERING PUMP GASKET

Cross Reference:

Manufacturer	OEM Number
CUMMINS	3166307
CUMMINS	154916
CUMMINS	3004242
CUMMINS	3558515
NAVISTAR	591597C1
NAVISTAR	591597C2
MACK	4333-591597C2
MACK	4333-591597C1
NAVISTAR	591597
DETROIT DIESEL	23516100
CUMMINS	4988280
CUMMINS	163027

Copyright © 2020 PAI Industries, Inc.

All rights reserved. All content is property of PAI Industries, Inc. and may not be reproduced or redistributed in any form.

Any reference to OEM names or OEM product identification numbers/descriptions/model numbers is for identification only and does not indicate that it is an OEM part. PAI is not affiliated with Mack Truck, Inc.®, Volvo®, Fuller®, Cummins®, Eaton®, Rockwell®, Caterpillar®, Freightliner®, Hendrickson®, Kenworth®, Detroit Diesel®, International®, Peterbilt®, or Dana®. All Manufacturer's names, numbers, symbols and descriptions are used for reference only. It is not implied that any part listed is the product of these manufacturers.