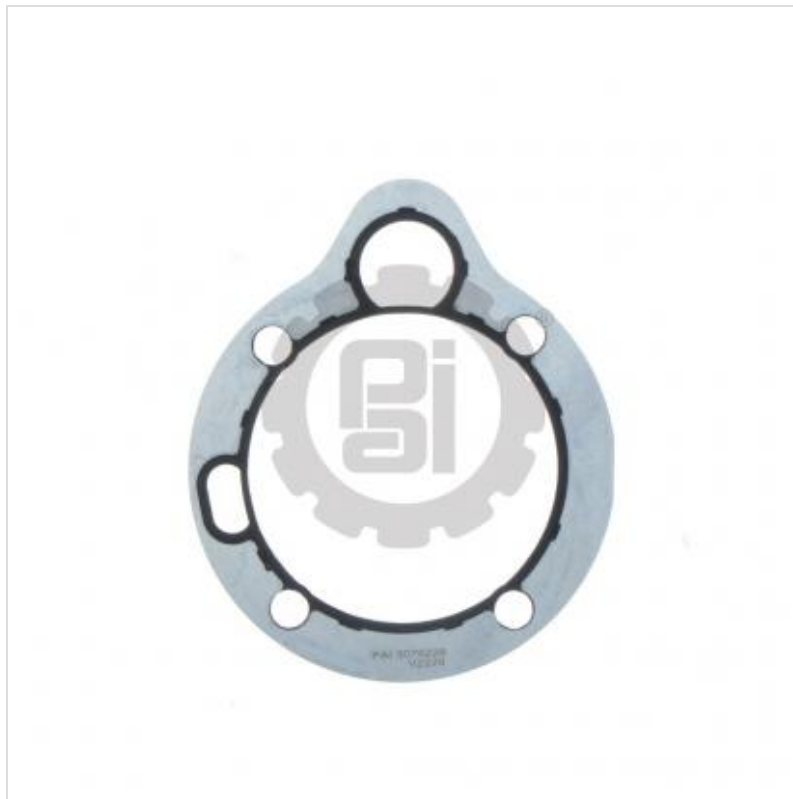


AIR CONDITIONING SUPPORT GASKET

131591



Description: AIR CONDITIONING SUPPORT GASKET
SKU: 131591
OEM: 3076226
Product Group: ENGINE PARTS
Product Class: ENGINE GASKETS, O-RINGS & GASKET SETS
UPC Code: 193807137922
Sell Pack: 3 EA
 (Available to buy in increments of 3)
Weight: 0.25 LBS
Warranty: 2 Years



Details:
 Air Conditioning Support Gasket
 Edge Molded
 Cummins application

E-Catalog Pages:

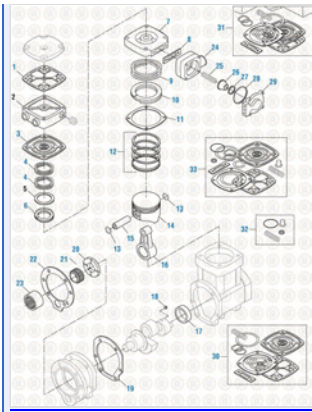
Catalog Page	Description
	<p>Cummins Engine 2017 13.2 CFM Model SS296 - Miscellaneous Components</p>

Copyright © 2020 PAI Industries, Inc.
 All rights reserved. All content is property of PAI Industries, Inc. and may not be reproduced or redistributed in any form.

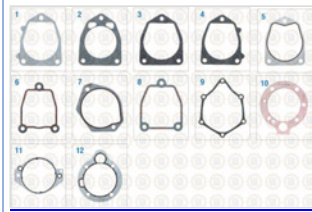
Any reference to OEM names or OEM product identification numbers/descriptions/model numbers is for identification only and does not indicate that it is an OEM part. PAI is not affiliated with Mack Truck, Inc.®, Volvo®, Fuller®, Cummins®, Eaton®, Rockwell®, Caterpillar®, Freightliner®, Hendrickson®, Kenworth®, Detroit Diesel®, International®, Peterbilt®, or Dana®. All Manufacturer's names, numbers, symbols and descriptions are used for reference only. It is not implied that any part listed is the product of these manufacturers.

AIR CONDITIONING SUPPORT GASKET

131591



Cummins Engine 2017
QE Series - Miscellaneous Components



Air & Electrical 2019
Compressor Gaskets - Compressors

Cross Reference:

Manufacturer	OEM Number
CUMMINS	3076226
CUMMINS	3171119

Copyright © 2020 PAI Industries, Inc.
All rights reserved. All content is property of PAI Industries, Inc, and may not be reproduced or redistributed in any form.

Any reference to OEM names or OEM product identification numbers/descriptions/model numbers is for identification only and does not indicate that it is an OEM part. PAI is not affiliated with Mack Truck, Inc.®, Volvo®, Fuller®, Cummins®, Eaton®, Rockwell®, Caterpillar®, Freightliner®, Hendrickson®, Kenworth®, Detroit Diesel®, International®, Peterbilt®, or Dana®. All Manufacturer's names, numbers, symbols and descriptions are used for reference only. It is not implied that any part listed is the product of these manufacturers.