

MOUNTING GASKET

131673



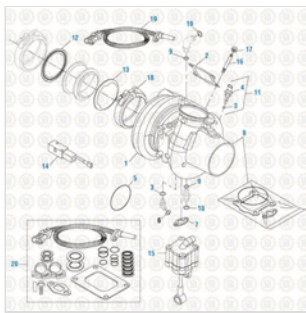
Description:	MOUNTING GASKET
SKU:	131673
OEM:	3102314
Product Group:	ENGINE PARTS
Product Class:	ENGINE GASKETS, O-RINGS & GASKET SETS
UPC Code:	193807138936
Sell Pack:	1 EA
Weight:	0.08 LBS
Warranty:	2 Years

Details:

Mounting Gasket
Cummins ISX Series application

E-Catalog Pages:

Catalog Page	Description
--------------	-------------



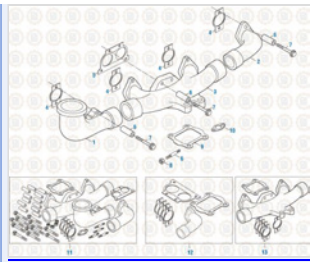
Cummins Engine 2017
Turbocharger - ISX Series

Copyright © 2020 PAI Industries, Inc.
All rights reserved. All content is property of PAI Industries, Inc. and may not be reproduced or redistributed in any form.

Any reference to OEM names or OEM product identification numbers/descriptions/model numbers is for identification only and does not indicate that it is an OEM part. PAI is not affiliated with Mack Truck, Inc.®, Volvo®, Fuller®, Cummins®, Eaton®, Rockwell®, Caterpillar®, Freightliner®, Hendrickson®, Kenworth®, Detroit Diesel®, International®, Peterbilt®, or Dana®. All Manufacturer's names, numbers, symbols and descriptions are used for reference only. It is not implied that any part listed is the product of these manufacturers.

MOUNTING GASKET

131673



Cummins Engine 2017
Exhaust Manifold - ISX Series

Component Of:

SKU	Image	Description
131638-152		TURBOCHARGER GASKET KIT
141440		EGR COOLER INSTALLATION KIT
141449		MAJOR INSTALLATION KIT
181049	.	EXHAUST MANIFOLD KIT
181058	.	CENTER EXHAUST MANIFOLD KIT
181202	.	TURBOCHARGER

Cross Reference:

Manufacturer	OEM Number
CUMMINS	3102314

Copyright © 2020 PAI Industries, Inc.
All rights reserved. All content is property of PAI Industries, Inc. and may not be reproduced or redistributed in any form.

Any reference to OEM names or OEM product identification numbers/descriptions/model numbers is for identification only and does not indicate that it is an OEM part. PAI is not affiliated with Mack Truck, Inc.®, Volvo®, Fuller®, Cummins®, Eaton®, Rockwell®, Caterpillar®, Freightliner®, Hendrickson®, Kenworth®, Detroit Diesel®, International®, Peterbilt®, or Dana®. All Manufacturer's names, numbers, symbols and descriptions are used for reference only. It is not implied that any part listed is the product of these manufacturers.