

EXHAUST GASKET

131706



Description: EXHAUST GASKET
SKU: 131706
OEM: 3937479
Product Group: ENGINE PARTS
Product Class: ENGINE GASKETS, O-RINGS & GASKET SETS
UPC Code: 193807139339
Sell Pack: 6 EA
 (Available to buy in increments of 6)
Weight: 0.25 LBS
Warranty: 2 Years



Details:
 Exhaust Gasket
 Late
 Cummins 6C / ISC / ISL Series application

E-Catalog Pages:

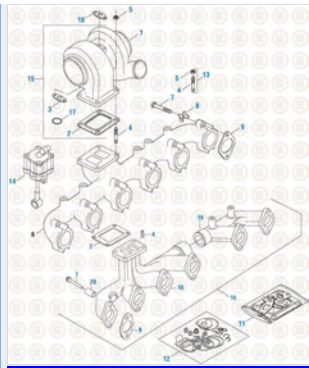
Catalog Page	Description
	<p>Cummins Engine 2017 Cylinder Head Assembly - 6C / ISC / ISL Series</p>

Copyright © 2020 PAI Industries, Inc.
 All rights reserved. All content is property of PAI Industries, Inc. and may not be reproduced or redistributed in any form.

Any reference to OEM names or OEM product identification numbers/descriptions/model numbers is for identification only and does not indicate that it is an OEM part. PAI is not affiliated with Mack Truck, Inc.®, Volvo®, Fuller®, Cummins®, Eaton®, Rockwell®, Caterpillar®, Freightliner®, Hendrickson®, Kenworth®, Detroit Diesel®, International®, Peterbilt®, or Dana®. All Manufacturer's names, numbers, symbols and descriptions are used for reference only. It is not implied that any part listed is the product of these manufacturers.

EXHAUST GASKET

131706



Cummins Engine 2017
Turbocharger and Exhaust Manifold - 6C / ISC / ISL Series

Component Of:

SKU	Image	Description
131684		UPPER GASKET SET
131743		UPPER GASKET KIT
131814		UPPER GASKET KIT
131874		UPPER GASKET KIT

Copyright © 2020 PAI Industries, Inc.
All rights reserved. All content is property of PAI Industries, Inc. and may not be reproduced or redistributed in any form.

Any reference to OEM names or OEM product identification numbers/descriptions/model numbers is for identification only and does not indicate that it is an OEM part. PAI is not affiliated with Mack Truck, Inc.®, Volvo®, Fuller®, Cummins®, Eaton®, Rockwell®, Caterpillar®, Freightliner®, Hendrickson®, Kenworth®, Detroit Diesel®, International®, Peterbilt®, or Dana®. All Manufacturer's names, numbers, symbols and descriptions are used for reference only. It is not implied that any part listed is the product of these manufacturers.

EXHAUST GASKET

131706

[132048](#)



UPPER GASKET KIT

[181043](#)

EXHAUST MANIFOLD

Cross Reference:

Manufacturer	OEM Number
CUMMINS	3937479
CUMMINS	3943191
CUMMINS	5269779

Copyright © 2020 PAI Industries, Inc.
 All rights reserved. All content is property of PAI Industries, Inc, and may not be reproduced or redistributed in any form.

Any reference to OEM names or OEM product identification numbers/descriptions/model numbers is for identification only and does not indicate that it is an OEM part. PAI is not affiliated with Mack Truck, Inc.®, Volvo®, Fuller®, Cummins®, Eaton®, Rockwell®, Caterpillar®, Freightliner®, Hendrickson®, Kenworth®, Detroit Diesel®, International®, Peterbilt®, or Dana®. All Manufacturer's names, numbers, symbols and descriptions are used for reference only. It is not implied that any part listed is the product of these manufacturers.