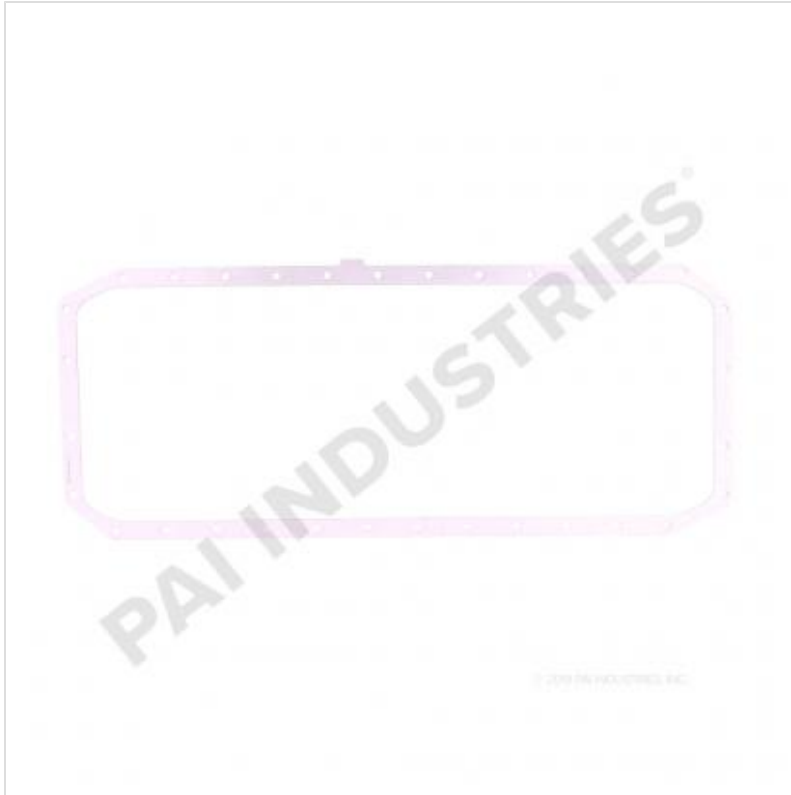


OIL PAN GASKET

132020



Description:	OIL PAN GASKET
SKU:	132020
OEM:	4337596
Product Group:	ENGINE PARTS
Product Class:	ENGINE GASKETS, O-RINGS & GASKET SETS
UPC Code:	193807144029
Sell Pack:	1 EA
Weight:	1.25 LBS
Package Dimensions (LxWxH):	28 x 44 x 1 inches
Warranty:	2 Years

Details:

Oil Pan Gasket
Cummins QSB 5.9L application

E-Catalog Pages:

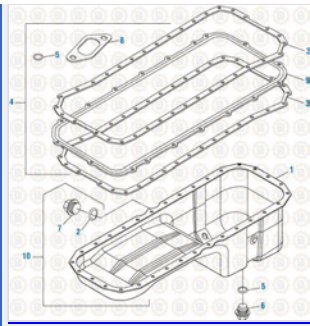
Catalog Page	Description
	<p>Cummins Engine 2017 Cylinder Block Components - ISB / QSB Series</p>

Copyright © 2020 PAI Industries, Inc.
All rights reserved. All content is property of PAI Industries, Inc, and may not be reproduced or redistributed in any form.

Any reference to OEM names or OEM product identification numbers/descriptions/model numbers is for identification only and does not indicate that it is an OEM part. PAI is not affiliated with Mack Truck, Inc.®, Volvo®, Fuller®, Cummins®, Eaton®, Rockwell®, Caterpillar®, Freightliner®, Hendrickson®, Kenworth®, Detroit Diesel®, International®, Peterbilt®, or Dana®. All Manufacturer's names, numbers, symbols and descriptions are used for reference only. It is not implied that any part listed is the product of these manufacturers.

OIL PAN GASKET

132020



Cummins Engine 2017
Oil Pan - ISB / QSB Series

Heavy Duty Oil Pans and Gaskets
Oil Pan Gasket

Component Of:

SKU	Image	Description
132021		PAN GASKET KIT
132045		LOWER GASKET KIT
132051		LOWER GASKET KIT

Cross Reference:

Manufacturer	OEM Number
CUMMINS	3955106
CUMMINS	3959797
CUMMINS	4337596

Copyright © 2020 PAI Industries, Inc.
All rights reserved. All content is property of PAI Industries, Inc, and may not be reproduced or redistributed in any form.

Any reference to OEM names or OEM product identification numbers/descriptions/model numbers is for identification only and does not indicate that it is an OEM part. PAI is not affiliated with Mack Truck, Inc.®, Volvo®, Fuller®, Cummins®, Eaton®, Rockwell®, Caterpillar®, Freightliner®, Hendrickson®, Kenworth®, Detroit Diesel®, International®, Peterbilt®, or Dana®. All Manufacturer's names, numbers, symbols and descriptions are used for reference only. It is not implied that any part listed is the product of these manufacturers.