

SEAL

136001



Description: SEAL
SKU: 136001
OEM: 3006737
Product Group: ENGINE PARTS
Product Class: CRANKSHAFTS & SEALS
UPC Code: 193807161644
Sell Pack: 1 EA
Weight: 0.47 LBS
Warranty: 2 Years



Details:

SEAL, 6 in Free ID x 6.757 in OD x 0.5 in Width
 152.4 mm Free ID x 171.62 mm OD x 12.7 mm Width, Primary Application : Cummins 855/N14 Rear Crankshaft

E-Catalog Pages:

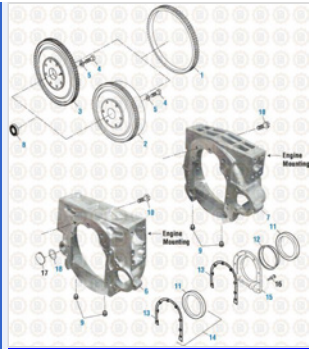
Catalog Page	Description
	<p>Drive Train 2016 Seals - Miscellaneous</p>

Copyright © 2020 PAI Industries, Inc.
 All rights reserved. All content is property of PAI Industries, Inc, and may not be reproduced or redistributed in any form.

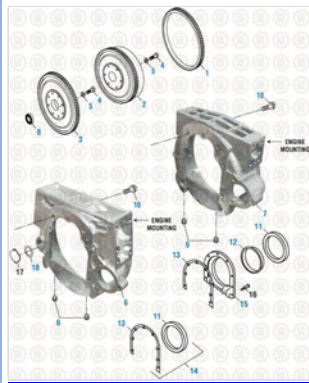
Any reference to OEM names or OEM product identification numbers/descriptions/model numbers is for identification only and does not indicate that it is an OEM part. PAI is not affiliated with Mack Truck, Inc.®, Volvo®, Fuller®, Cummins®, Eaton®, Rockwell®, Caterpillar®, Freightliner®, Hendrickson®, Kenworth®, Detroit Diesel®, International®, Peterbilt®, or Dana®. All Manufacturer's names, numbers, symbols and descriptions are used for reference only. It is not implied that any part listed is the product of these manufacturers.

SEAL

136001



Cummins Engine 2017
Flywheel Assemblies - 855 Series



Cummins Engine 2017
Flywheel Assembly - N14 Series

Component Of:

SKU	Image	Description
131273		LOWER GASKET SET
131331	.	LOWER GASKET KIT
131332		LOWER GASKET KIT
131333	.	LOWER GASKET KIT
131334	.	LOWER GASKET KIT
131336	.	LOWER GASKET KIT

Copyright © 2020 PAI Industries, Inc.
All rights reserved. All content is property of PAI Industries, Inc. and may not be reproduced or redistributed in any form.

Any reference to OEM names or OEM product identification numbers/descriptions/model numbers is for identification only and does not indicate that it is an OEM part. PAI is not affiliated with Mack Truck, Inc.®, Volvo®, Fuller®, Cummins®, Eaton®, Rockwell®, Caterpillar®, Freightliner®, Hendrickson®, Kenworth®, Detroit Diesel®, International®, Peterbilt®, or Dana®. All Manufacturer's names, numbers, symbols and descriptions are used for reference only. It is not implied that any part listed is the product of these manufacturers.

SEAL

136001

131337		LOWER GASKET KIT
131338		LOWER GASKET KIT
131396		REAR SEAL KIT
131422		LOWER GASKET KIT
131539		LOWER GASKET KIT
131800		OVERHAUL GASKET KIT
131933		LOWER GASKET KIT

Cross Reference:	
Manufacturer	OEM Number
CUMMINS	204829
CUMMINS	3006737
CUMMINS	211253

Copyright © 2020 PAI Industries, Inc.
 All rights reserved. All content is property of PAI Industries, Inc. and may not be reproduced or redistributed in any form.

Any reference to OEM names or OEM product identification numbers/descriptions/model numbers is for identification only and does not indicate that it is an OEM part. PAI is not affiliated with Mack Truck, Inc.®, Volvo®, Fuller®, Cummins®, Eaton®, Rockwell®, Caterpillar®, Freightliner®, Hendrickson®, Kenworth®, Detroit Diesel®, International®, Peterbilt®, or Dana®. All Manufacturer's names, numbers, symbols and descriptions are used for reference only. It is not implied that any part listed is the product of these manufacturers.